

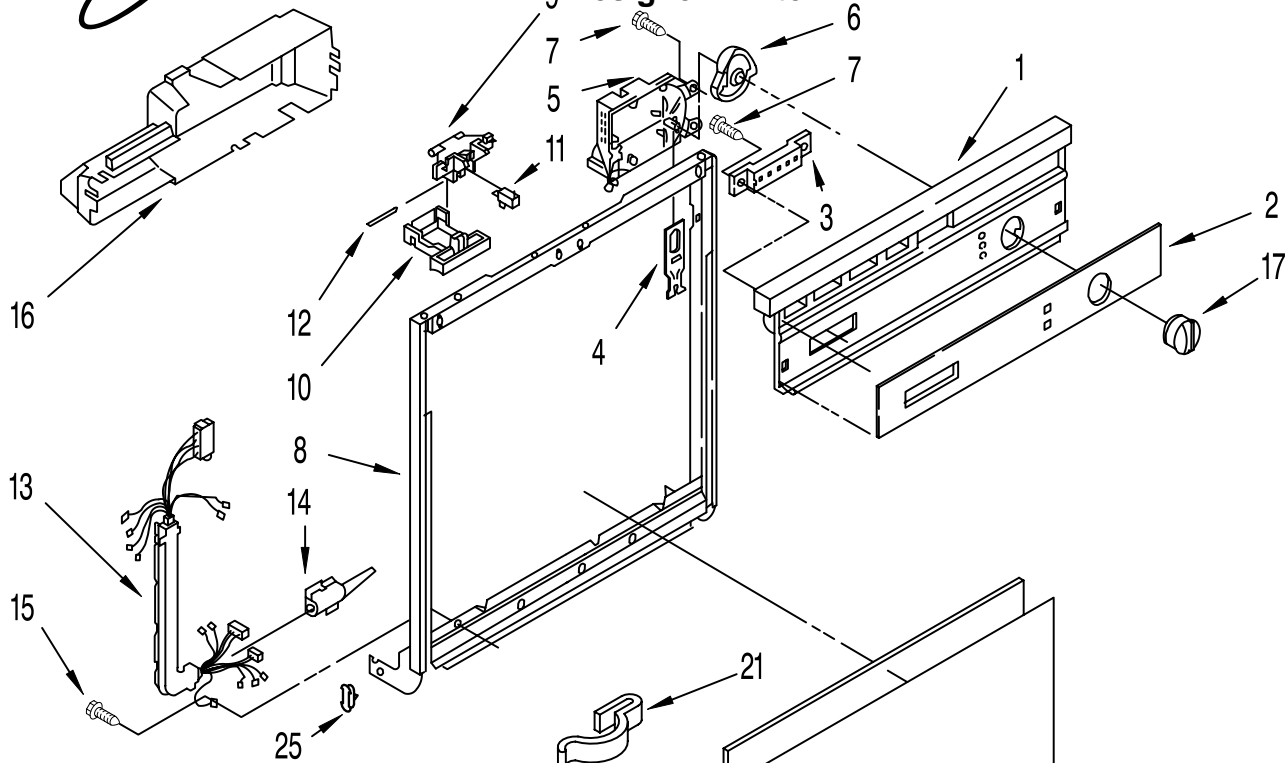


# FRAME AND CONSOLE PARTS

UNDERCOUNTER  
DISHWASHER

For Model: DU900PCDQ2

9 Designer White



**Illus. Part No. DESCRIPTION**

Illus. No.	Part No.	DESCRIPTION
1	3375274	Console
2	3376025	Insert, Console (Includes Item 2)
3	3376028	Switch
4	3369529	Follower, Cam
5	3373626	Timer
6	3369415	Cam
7	304231	Screw,
8	3374712	Door Frame (Includes Item 24)
9	3368953	Bolt, Latch
10	3372231	Lever, Latch
11	3369325	Switch, (2)
12	3368955	Pin, Switch (2)
13	3373621	Harness and Protector
14	3376405	Elbow, Harness
15	3400803	Screw
16	3375473	Cover Timer
17	3375349	Knob, Timer
18	3368979	Spacer, Corrugated
19	3369769	†Panel, Front (Black/White)
20	3374011	Retainer, Panel
21	98997	Clip, Harness
24	3374716	Channel, Retainer (Also Order Item #20)
25	3373234	Bearing, Spring (2)

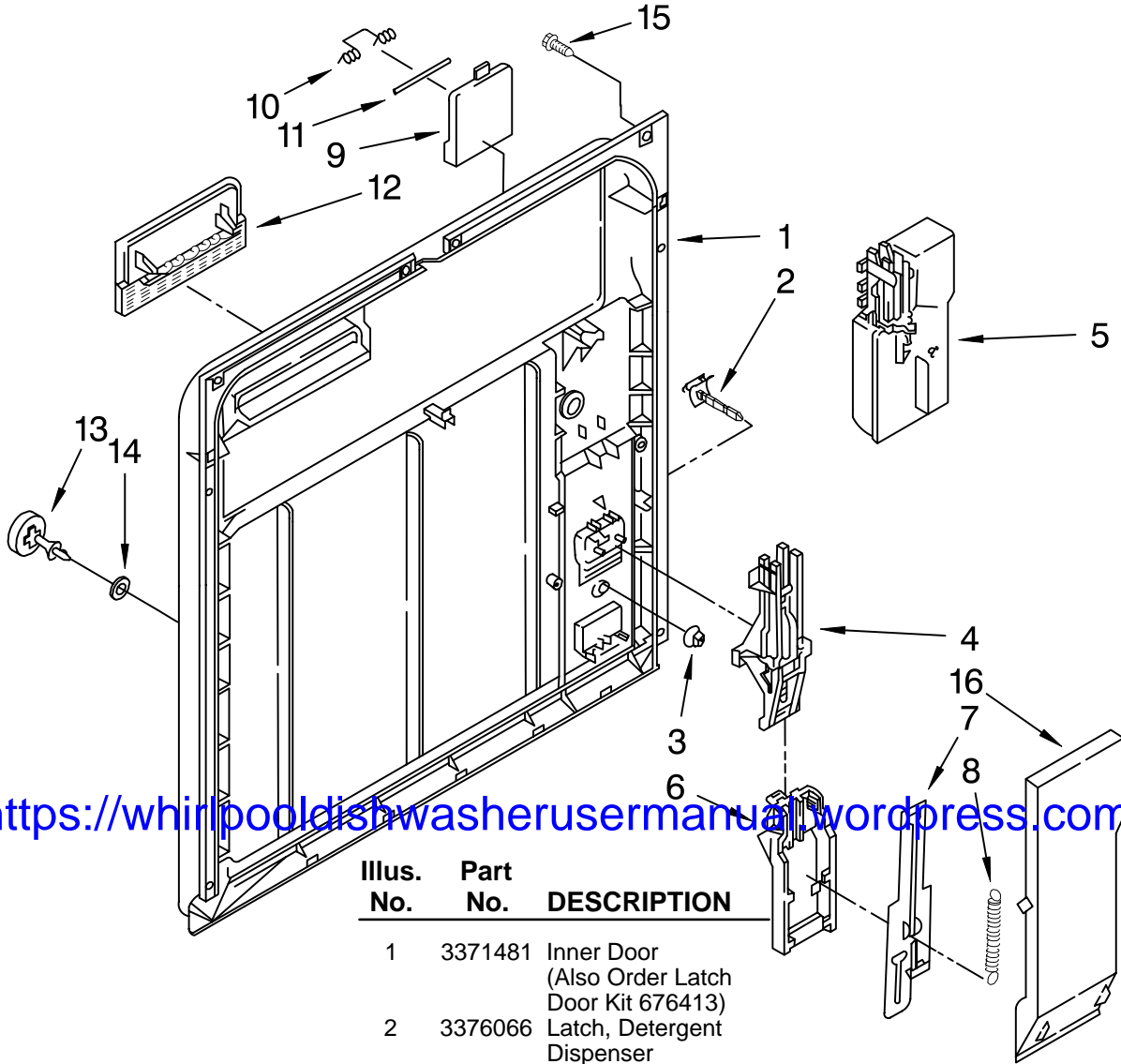
<https://whirlpooldishwasherusermanual.wordpress.com/>

†Refer To Dishwasher Replacement Panel Parts List No. 675345.

FOR ORDERING INFORMATION REFER TO PARTS PRICE LIST

# INNER DOOR PARTS

For Model: DU900PCDQ2  
Designer White



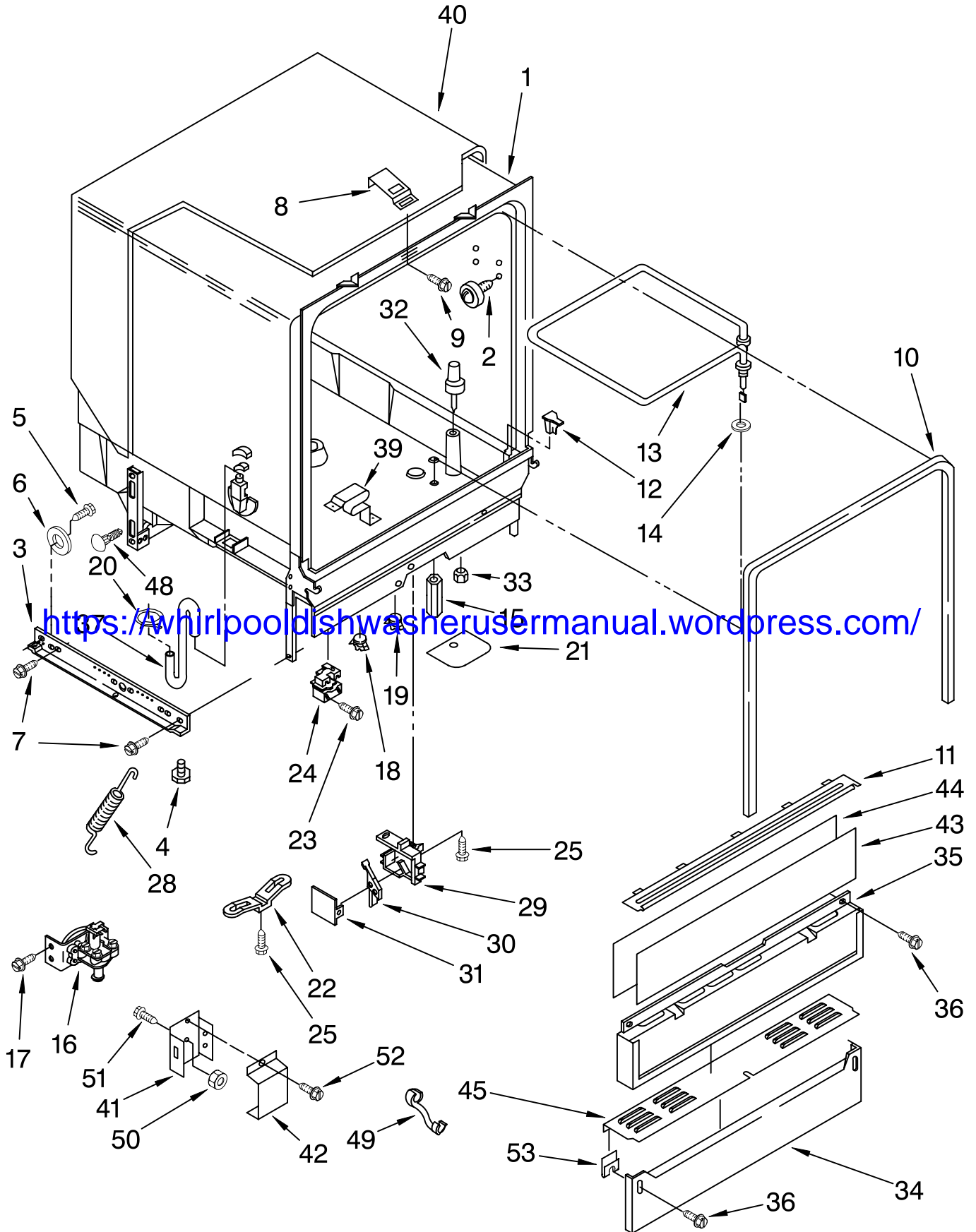
<https://whirlpooldishwasherusermanual.wordpress.com/>

Illus. No.	Part No.	DESCRIPTION
1	3371481	Inner Door (Also Order Latch Door Kit 676413)
2	3376066	Latch, Detergent Dispenser
3	3369061	Snap, Detergent Dispenser
4	3369055	Actuator Assembly
5	3368967	Wet Agent, Dispenser
6	3369000	Draw Bar (Upper Dispenser)
7	3369602	Draw Bar (Lower Dispenser)
8	3368999	Spring (Draw Bar)
9	3376404	Lid Assembly
10	300106	Spring, Lid
11	3372028	Pin (Lid Hinge) (Also Order Item #10)
12	3371710	Screen, Vent
13	3369512	Wet-Agent Cap Assembly
14	3369155	Seal (Wet-Cap)
15	3369051	Screw
16	3371569	Cover, Drip

FOR ORDERING INFORMATION REFER TO PARTS PRICE LIST

# TUB ASSEMBLY PARTS

For Model: DU900PCDQ2  
Designer White



<http://Whirlpooldishwasherusermanual.wordpress.com/>

FOR ORDERING INFORMATION REFER TO PARTS PRICE LIST

# TUB ASSEMBLY PARTS

For Model: DU900PCDQ2  
Designer White

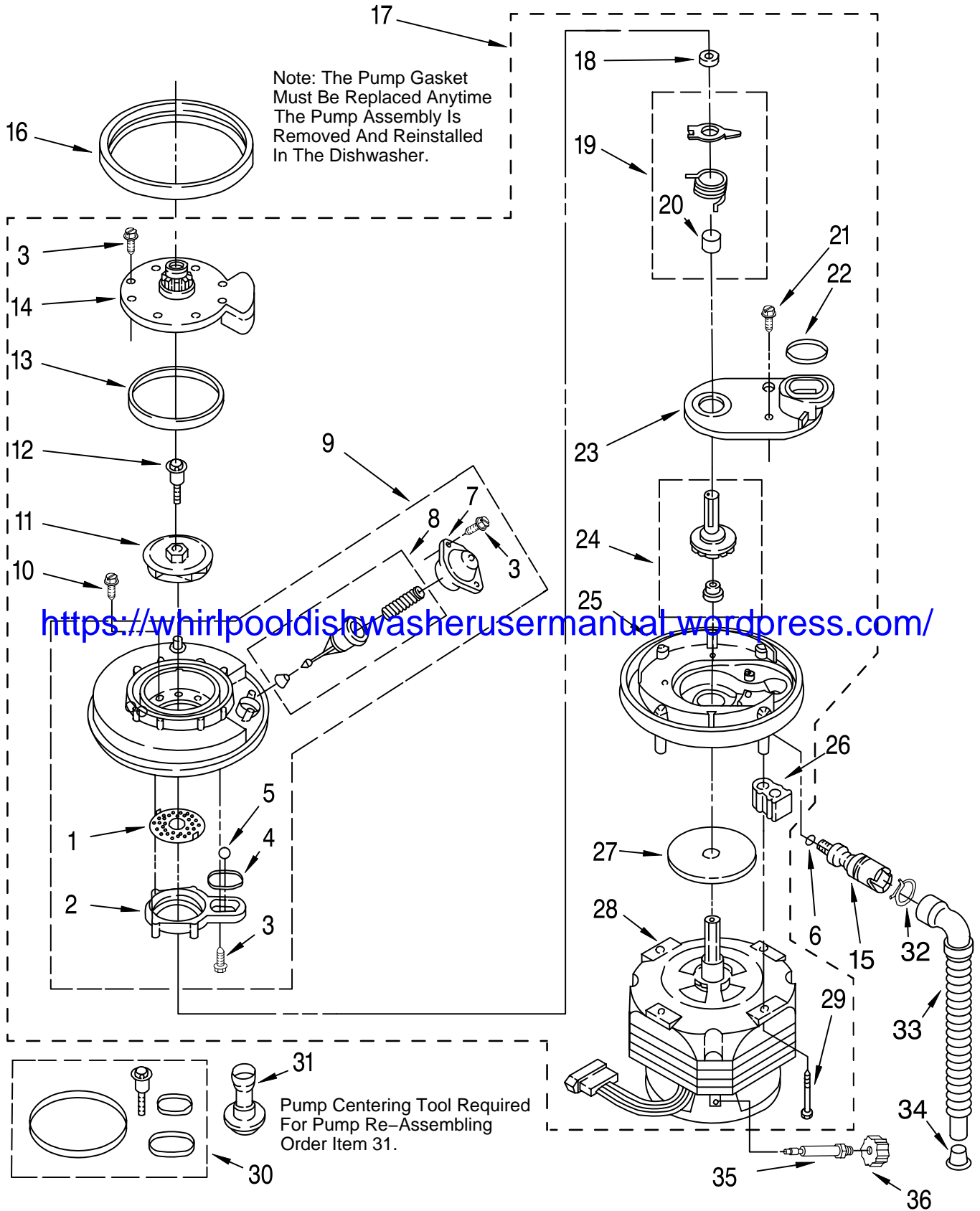
Illus. No.	Part No.	DESCRIPTION	Illus. No.	Part No.	DESCRIPTION	Illus. No.	Part No.	DESCRIPTION
1	3375130	Tub Assembly	19	3373359	Thermostat	39	3368987	Support, Heater
2	3369078	Tub, Wheel Assembly (8)	20	301958	Clamp	40	3374765	Sound Shield
3	3368932	Runner (2)	21	3376149	Shield, Thermostat	41	3370292	Terminal Box
4	3374849	Leveler (2)	22	3370555	Bracket, Thermostat	42	300068	Cover Assembly, Terminal Box
5	3370389	Screw, Shoulder	23	3370225	Screw	43		†Access Panel
6	302819	Wheel (2)	24	3369447	Relay		3370868	(White/Black)
7	343641	Screw,	25	304231	Screw	44	3369526	Spacer, Corrugated
8	3374719	Plate, Latch	28	3374343	Spring, Door (2)	45	3374728	Extension & Clip Assembly
9	3374720	Screw	29	3369048	Housing, Float Switch	48	304666	Retainer, Push (2)
10	3368994	Gasket	30	3369067	Switch, Float	49	3370307	Strain Relief
11	3372413	Retainer, Access Panel	31	3369049	Cover, Switch Housing	50	3371579	Nut
12	3369052	Deflector (2)	32	3376397	Float & Washer Assembly	51	3371578	Screw
13	3375558	Heater	33	717488	Nut	52	3369138	Screw
14	717273	Washer, Rubber (2)	34	9742861	Toe Panel	53	3374718	Clip, Grounding
15	3369073	Nut (2) (Heater Terminal)	35	3369614	Panel, Access			† Refer To Dishwasher Replacement Panel Parts List No. 675345.
16	3374621	Water Valve	36	302868	Screw			
17	304392	Screw	37	3369414	Hose, Inlet			
18	3369777	Thermostat,						

<https://whirlpooldishwasherusermanual.wordpress.com/>

FOR ORDERING INFORMATION REFER TO PARTS PRICE LIST

# PUMP AND MOTOR PARTS

For Model: DU900PCDQ2  
Designer White



FOR ORDERING INFORMATION REFER TO PARTS PRICE LIST

# PUMP AND MOTOR PARTS

For Model: DU900PCDQ2  
Designer White

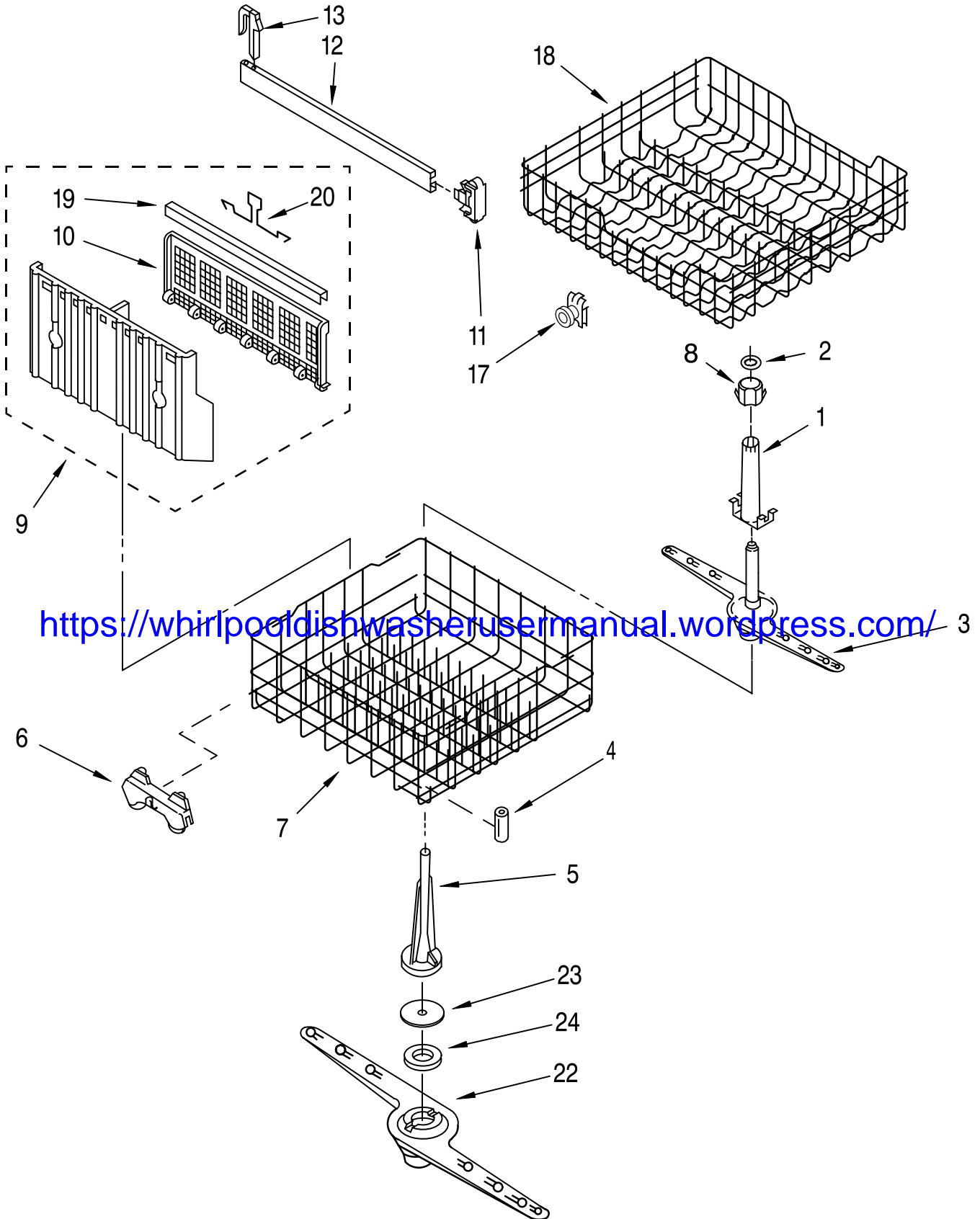
Illus. No.	Part No.	DESCRIPTION	Illus. No.	Part No.	DESCRIPTION	Illus. No.	Part No.	DESCRIPTION
1	9740982	Plate, Perforated (Includes Item 5) (Also Order Item 30) See Note A.	13	302711	Seal, Pump Outlet	25	3376151	Base, Pump (Also Order Item 30) See Note A.
2	3367173	Base, Inlet (Includes Items 1 & 5) (Also Order Item 30) See Note A.	14	3369478	Outlet, Pump (Includes Item 13)	26	3367197	Support, Pump Mounting (4)
3	9741232	Screw	15	3369482	Check Valve (Includes Item 6)	27	3368270	Slinger (See Note A.)
4	302710	Seal, Inlet Base	16	717000	Gasket, Pump	28	3374753	Motor (Includes Item 27) (Also Order Item 30) See Note A.
5	302709	Ball, Check	17	3375493	Pump & Motor Assembly (Includes Item 16)	29	3369331	Screw
6	95080	"O" Ring	18	302707	Bushing, Grind	30	675505	Pump Seal Kit (Includes Items 4, 12, 13 & 22)
7	302721	Cover, Valve	19	302718	Chopper Kit (Also Order Item 30) See Note A.	31	303918	Tool, Pump Centering
8	302738	Valve Stem Kit (Includes Items 12, 13 & 22) See Note A.	20	302705	Sleeve, Drain Impeller	32	356138	Clamp, Hose
9	303883	Separator Assembly (Includes Items 12, 13 & 22) See Note A.	21	9741321	Screw	33	3368781	Hose, Drain
10	3400001	Screw	22	302704	Seal, Drain Cover	34	3371748	Cap, Drain
11	3376402	Impeller, Wash (Includes Items 12 & 13)	23	302723	Cover, Drain (Also Order Item 30) See Note A.	35	3374757	Shaft, Absorber
12	337152	Screw & Seal	24	303539	Impeller, Drain Kit (Also Order Item 30) See Note A.	36	3374756	Weight, Absorber

**NOTE A:**  
Pump Centering Tool Required  
For Pump Re-Assembly  
Order Item 31.

<https://whirlpooldishwasherusermanual.wordpress.com/>

# DISHRACK PARTS

For Model: DU900PCDQ2  
Designer White



<https://whirlpooldishwasherusermanual.wordpress.com/>

FOR ORDERING INFORMATION REFER TO PARTS PRICE LIST

# DISHRACK PARTS

For Model: DU900PCDQ2  
Designer White

Illus. No.	Part No.	DESCRIPTION	Illus. No.	Part No.	DESCRIPTION	Illus. No.	Part No.	DESCRIPTION
1	3368290	Support, Arm (Also Order Items 2 & 8)	<b>OPTIONAL PARTS NOT INCLUDED</b>					
2	303722	Clip	<b>PAINT, TOUCH-UP (1/2oz.)</b>			<b>ACCESSORY PARTS</b>		
3	3368300	Spray Arm, Upper (Also Order Items 2 & 8)	72017	White	4317925	White		
4	3368006	Bumper (2)	72107	Almond	4317926	Avocado		
5	300848	Tower, Pressure	72032	Black	4317927	Gold		
6	3369509	Wheel & Transport Assembly (4)	<b>PAINT, PRESSURIZED SPRAY (13 oz.)</b>			4317929	Almond	
7	3370490	Dishrack, Lower (Includes Items 4 & 6)	350956	Almond	4317930	Toast		
8	3374702	Support Lock, Spray Arm	285006	Superior Black	4317931	Platinum		
9	3369488	Silverware Basket Assembly	350941	Primer (White)			4318050 Heavy Duty	
10	3369485	Cover, Basket	<b>PAINT, TOUCH-UP (1 qt.)</b>			<b>LITERATURE PARTS</b>		
11	300845	End Cap (Front or Rear)	978883	Almond (Uncut)	LIT3369679	Instructions, Installation		
12	3369071	Track	799340	Black (Uncut)	LIT3367007	Instructions, Installation (Supplement) (Locating Your Water Supply)		
13	3374701	Stop, Track (2)	<b>DISHRACK REPAIR</b>			LIT3373484	Energy Guide	
17	3371581	Wheel & Axle Assembly (4)	675576	Vinyl Touch-Up (Blue)	LIT3373751	Guide, Use & Care		
18	3371663	Dishrack, Upper	675677	Tine Tip Repair Kit (Blue-- Enough For Two Complete Dishracks)	LIT3373631	Wiring Diagram		
19	717528	Trim, Basket	676453	Vinyl Touch-Up (White)	LIT0017967	Do-It Yourself, Manual		
20	300086	Handle, Basket	675679	Tine Tip Repair Kit (White-- Enough For Two Complete Dishracks)				
22	3369247	Spray Arm, Lower	676455	Vinyl Touch-Up (Grey)				
23	3367910	Cap, Nozzle	676458	Tine Tip Repair Kit (Grey-- Enough For Two Complete Dishracks)				
24	719576	Bearing, Nozzle						

FOR ORDERING INFORMATION REFER TO PARTS PRICE LIST