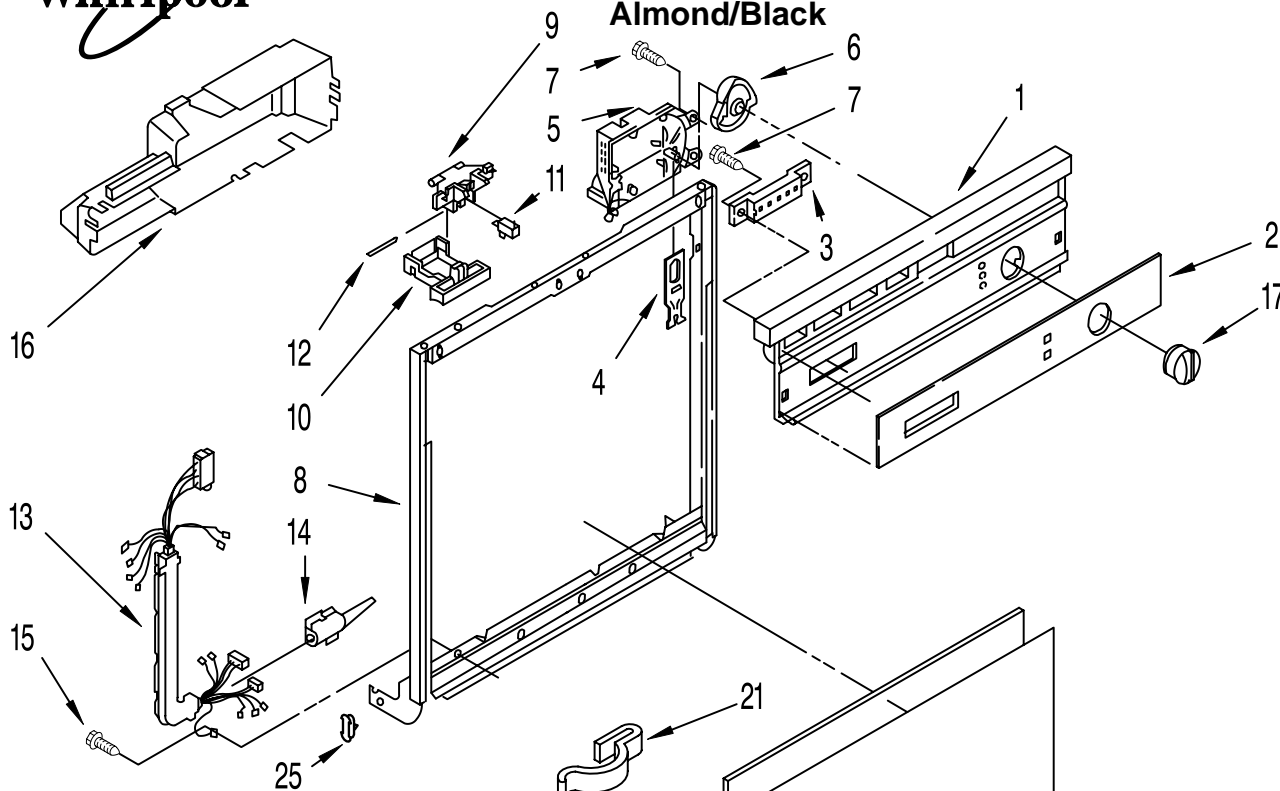




FRAME AND CONSOLE PARTS

UNDERCOUNTER
DISHWASHER

For Model: DU900PCDB2
Almond/Black



Illus. Part No. DESCRIPTION

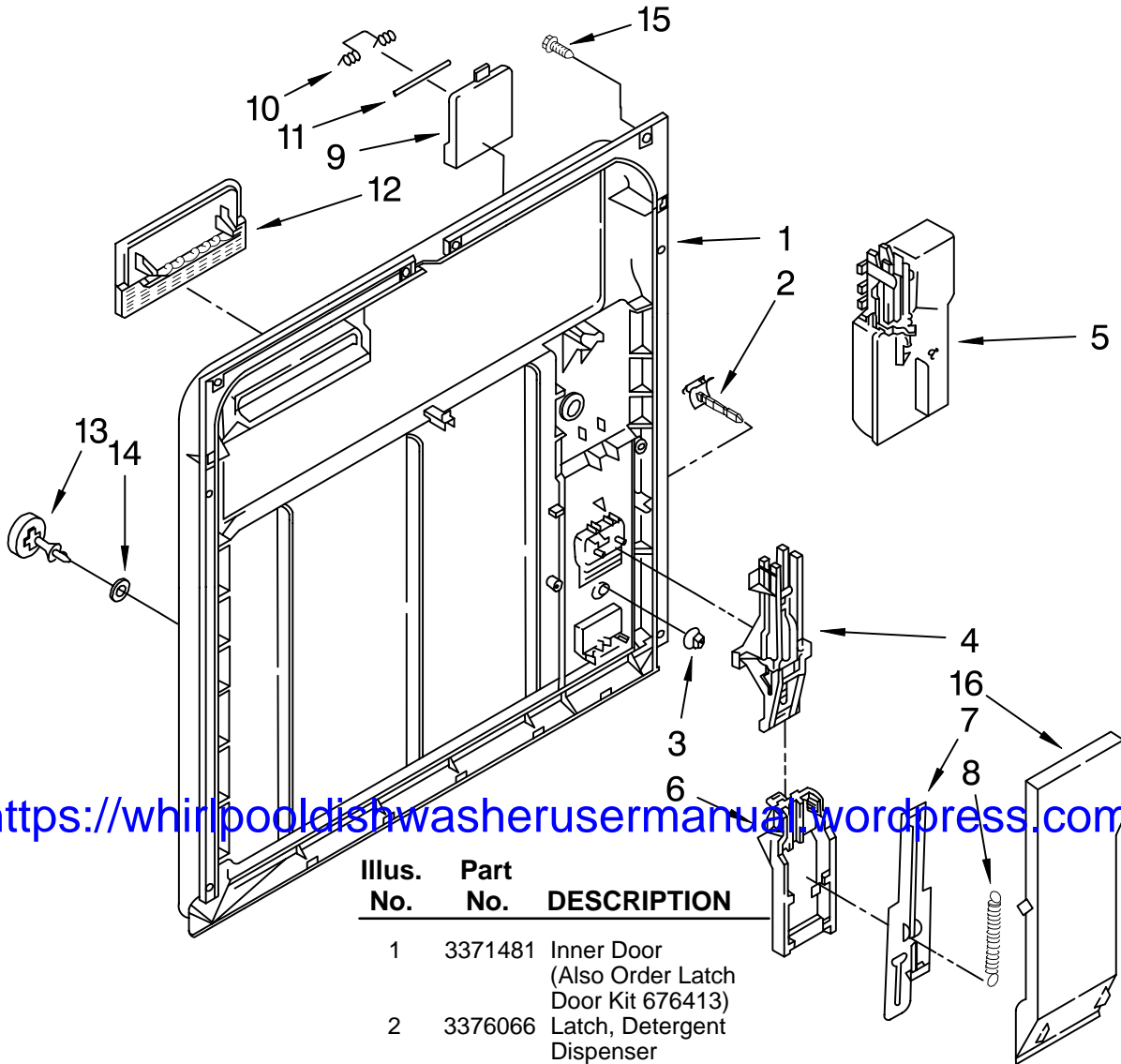
1	3375273	Console (Includes Item 2)
2	3376024	Insert, Console
3	3376027	Switch
4	3369529	Follower, Cam
5	3373626	Timer
6	3369415	Cam
7	304231	Screw,
8	3374711	Door Frame (Includes Item 24)
9	3368953	Bolt, Latch
10	3369457	Lever, Latch
11	3369325	Switch, (2)
12	3368955	Pin, Switch (2)
13	3373621	Harness and Protector
14	3376405	Elbow, Harness
15	3400803	Screw
16	3375473	Cover Timer
17	3375348	Knob, Timer
18	3368979	Spacer, Corrugated
19	3369516	†Panel, Front (Almond/Black)
20	3374010	Retainer, Panel
21	98997	Clip, Harness
24	3374716	Channel, Retainer (Also Order Item #20)
25	3373234	Bearing, Spring (2)

†Refer To Dishwasher Replacement Panel Parts List No. 675345.

FOR ORDERING INFORMATION REFER TO PARTS PRICE LIST

INNER DOOR PARTS

For Model: DU900PCDB2
Almond/Black



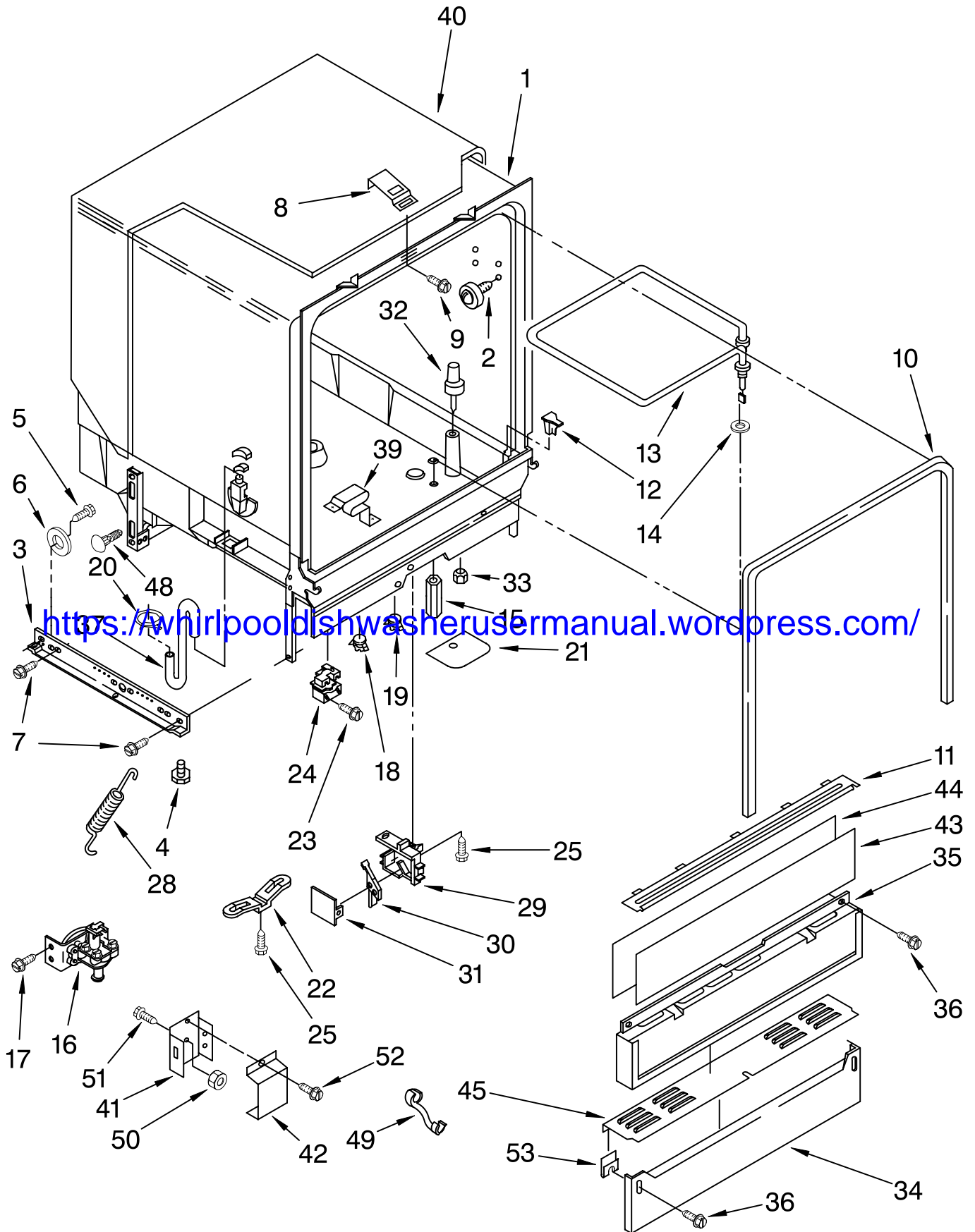
<https://whirlpooldishwasherusermanual.wordpress.com/>

Illus. No.	Part No.	DESCRIPTION
1	3371481	Inner Door (Also Order Latch Door Kit 676413)
2	3376066	Latch, Detergent Dispenser
3	3369061	Snap, Detergent Dispenser
4	3369055	Actuator Assembly
5	3368967	Wet Agent, Dispenser
6	3369000	Draw Bar (Upper Dispenser)
7	3369602	Draw Bar (Lower Dispenser)
8	3368999	Spring (Draw Bar)
9	3376404	Lid Assembly
10	300106	Spring, Lid
11	3372028	Pin (Lid Hinge) (Also Order Item #10)
12	3371710	Screen, Vent
13	3369512	Wet-Agent Cap Assembly
14	3369155	Seal (Wet-Cap)
15	3369051	Screw
16	3371569	Cover, Drip

FOR ORDERING INFORMATION REFER TO PARTS PRICE LIST

TUB ASSEMBLY PARTS

For Model: DU900PCDB2
Almond/Black



<http://Whirlpooledishwasherusermanual.wordpress.com/>

FOR ORDERING INFORMATION REFER TO PARTS PRICE LIST

TUB ASSEMBLY PARTS

For Model: DU900PCDB2
Almond/Black

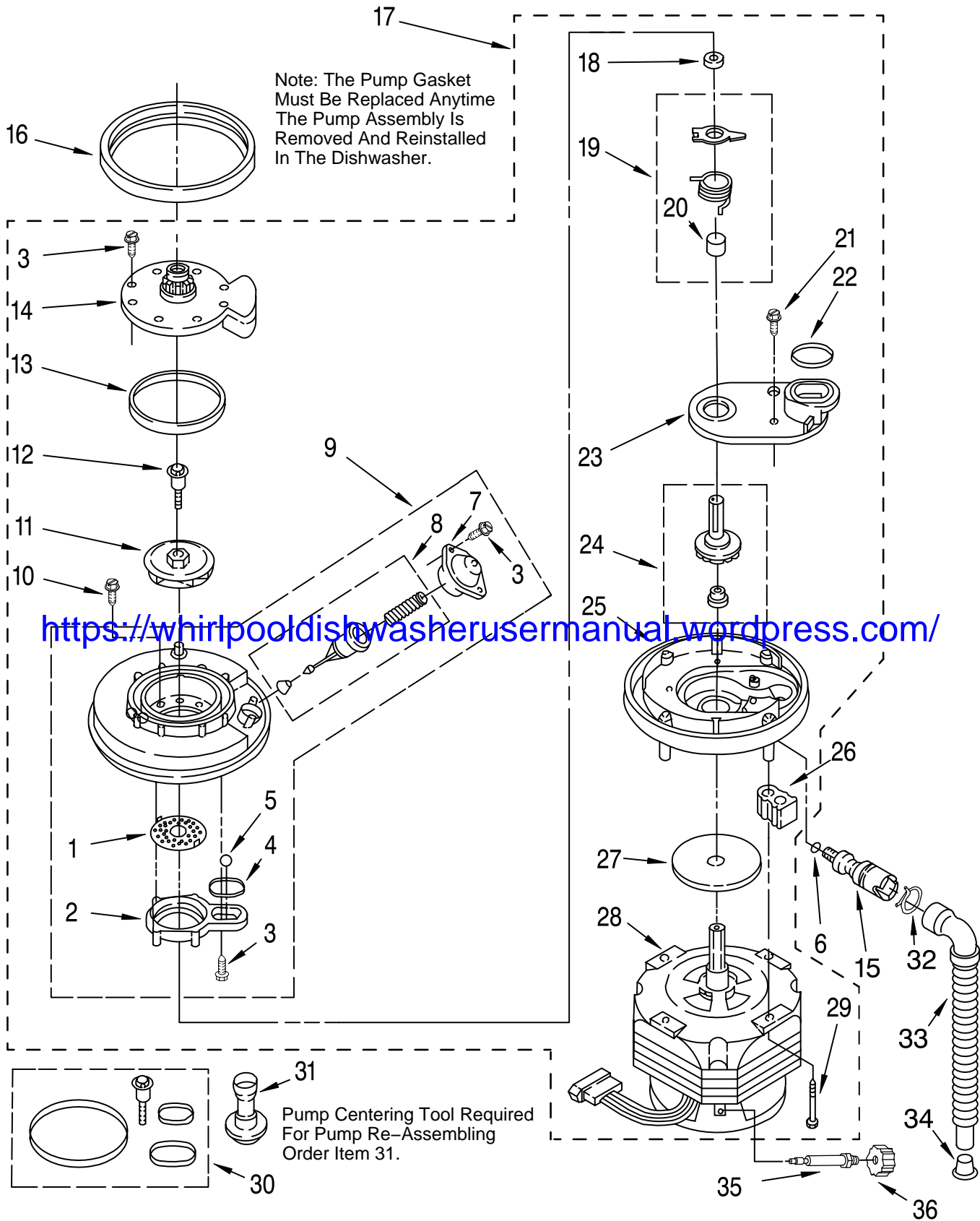
Illus. No.	Part No.	DESCRIPTION	Illus. No.	Part No.	DESCRIPTION	Illus. No.	Part No.	DESCRIPTION
1	3375130	Tub Assembly	19	3373359	Thermostat	39	3368987	Support, Heater
2	3369078	Tub, Wheel Assembly (8)	20	301958	Clamp	40	3374765	Sound Shield
3	3368932	Runner (2)	21	3376149	Shield, Thermostat	41	3370292	Terminal Box
4	3374849	Leveler (2)	22	3370555	Bracket, Thermostat	42	300068	Cover Assembly, Terminal Box
5	3370389	Screw, Shoulder	23	3370225	Screw	43		†Access Panel
6	302819	Wheel (2)	24	3369447	Relay		3369527	(Almond/Black)
7	343641	Screw,	25	304231	Screw	44	3369526	Spacer, Corrugated
8	3374719	Plate, Latch	28	3374343	Spring, Door (2)	45	3374728	Extension & Clip Assembly
9	3374720	Screw	29	3369048	Housing, Float Switch	48	304666	Retainer, Push (2)
10	3368994	Gasket	30	3369067	Switch, Float	49	3370307	Strain Relief
11	3372412	Retainer, Access Panel	31	3369049	Cover, Switch Housing	50	3371579	Nut
12	3369052	Deflector (2)	32	3376397	Float & Washer Assembly	51	3371578	Screw
13	3375558	Heater				52	3369138	Screw
14	717273	Washer, Rubber (2)	33	717488	Nut	53	3374718	Clip, Grounding
15	3369073	Nut (2) (Heater Terminal)	34	3368942	Toe Panel			
16	3374621	Water Valve	35	3369193	Panel, Access			
17	304392	Screw	36	302868	Screw			
18	3369777	Thermostat, Hi-Limit	37	3369414	Hose, Inlet			

† Refer To Dishwasher Replacement Panel Parts List No. 675345.

<https://whirlpooldishwasherusermanual.wordpress.com/>

PUMP AND MOTOR PARTS

For Model: DU900PCDB2
Almond/Black



FOR ORDERING INFORMATION REFER TO PARTS PRICE LIST

PUMP AND MOTOR PARTS

For Model: DU900PCDB2
Almond/Black

Illus. No.	Part No.	DESCRIPTION	Illus. No.	Part No.	DESCRIPTION	Illus. No.	Part No.	DESCRIPTION
1	9740982	Plate, Perforated (Includes Item 5) (Also Order Item 30) See Note A.	12	3371152	Screw & Seal	25	3376151	Base, Pump (Also Order Item 30) See Note A.
2	3367173	Base, Inlet (Includes Items 1 & 5) (Also Order Item 30) See Note A.	13	302711	Seal, Pump Outlet	26	3367197	Support, Pump Mounting (4)
3	9741232	Screw	14	3369478	Outlet, Pump (Includes Item 13)	27	3368270	Slinger (See Note A.)
4	302710	Seal, Inlet Base	15	3369482	Check Valve (Includes Item 6)	28	3374753	Motor (Includes Item 27) (Also Order Item 30) See Note A.
5	302709	Ball, Check	16	717000	Gasket, Pump	29	3369331	Screw
6	95080	"O" Ring	17	3375493	Pump & Motor Assembly (Includes Item 16)	30	675505	Pump Seal Kit (Includes Items 4, 12, 13 & 22)
7	302721	Cover, Valve	18	302707	Bushing, Grind	31	303918	Tool, Pump Centering
8	302738	Valve Stem Kit (Includes Items 12, 13 & 22) See Note A.	19	302718	Chopper Kit (Also Order Item 30) See Note A.	32	356138	Clamp, Hose
9	303883	Separator Assembly (Includes Items 12, 13 & 22) See Note A.	20	302705	Sleeve, Drain Impeller	33	3368781	Hose, Drain
10	3400001	Screw	21	9741321	Screw	34	3371748	Cap, Drain
11	3376402	Impeller, Wash (Includes Items 12 & 13)	22	302704	Seal, Drain Cover	35	3374757	Shaft, Absorber
			23	302723	Cover, Drain (Also Order Item 30) See Note A.	36	3374756	Weight, Absorber
			24	303539	Impeller, Drain Kit (Also Order Item 30) See Note A.			

NOTE A:

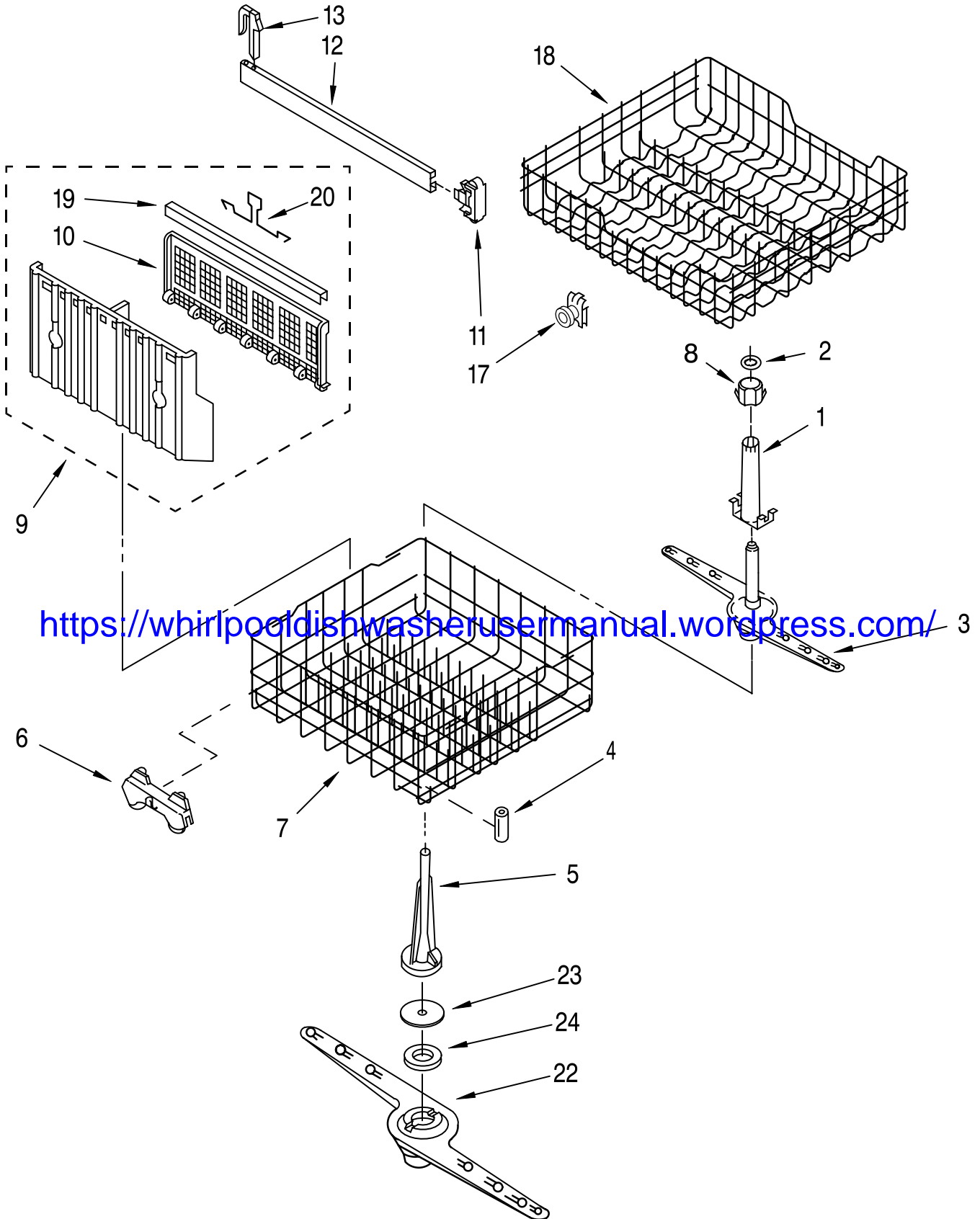
Pump Centering Tool Required
For Pump Re-Assembly
Order Item 31.

<https://whirlpooldishwasherusermanual.wordpress.com/>

FOR ORDERING INFORMATION REFER TO PARTS PRICE LIST

DISHRACK PARTS

For Model: DU900PCDB2
Almond/Black



FOR ORDERING INFORMATION REFER TO PARTS PRICE LIST

DISHRACK PARTS

For Model: DU900PCDB2
Almond/Black

Illus. No.	Part No.	DESCRIPTION
1	3368290	Support, Arm (Also Order Items 2 & 8)
2	303722	Clip
3	3368300	Spray Arm, Upper (Also Order Items 2 & 8)
4	3368006	Bumper (2)
5	300848	Tower, Pressure
6	3369509	Wheel & Transport Assembly (4)
7	3370490	Dishrack, Lower (Includes Items 4 & 6)
8	3374702	Support Lock, Spray Arm
9	3369488	Silverware Basket Assembly
10	3369485	Cover, Basket
11	300845	End Cap (Front or Rear)
12	3369071	Track
13	3374701	Stop, Track (2)
17	3371581	Wheel & Axle Assembly (4)
18	3371663	Dishrack, Upper
19	717528	Trim, Basket
20	300086	Handle, Basket
22	3369247	Spray Arm, Lower
23	3367910	Cap, Nozzle
24	719576	Bearing, Nozzle

Illus. No.	Part No.	DESCRIPTION
OPTIONAL PARTS NOT INCLUDED		
<u>PAINT, TOUCH-UP (1/2oz.)</u>		
	72017	White
	72107	Almond
	72032	Black
<u>PAINT, PRESSURIZED SPRAY (13 oz.)</u>		
	350956	Almond
	285006	Superior Black
	350941	Primer (White)
<u>PAINT, TOUCH-UP (1 qt.)</u>		
	978883	Almond (Uncut)
	799340	Black (Uncut)
<u>DISHRACK REPAIR</u>		
	675576	Vinyl Touch-Up (Blue)
	675677	Tine Tip Repair Kit (Blue--- Enough For Two Complete Dishracks)
	676453	Vinyl Touch-Up (White)
	675679	Tine Tip Repair Kit (White--- Enough For Two Complete Dishracks)
	676455	Vinyl Touch-Up (Grey)
	676458	Tine Tip Repair Kit (Grey--- Enough For Two Complete Dishracks)

Illus. No.	Part No.	DESCRIPTION
<u>ACCESSORY PARTS</u>		
	4317925	White
	4317926	Avocado
	4317927	Gold
	4317929	Almond
	4317930	Toast
	4317931	Platinum
	4318050	Heavy Duty
<u>LITERATURE PARTS</u>		
	LIT3369679	Instructions, Installation
	LIT3367007	Instructions, Installation (Supplement) (Locating Your Water Supply)
	LIT336484	Energy Guide
	LIT3373751	Guide, Use & Care
	LIT3373631	Wiring Diagram
	LIT0677967	Do-It Yourself, Manual

Following Parts Not Illustrated
and Optional Parts Not Included

1	3369816	Miscellaneous Parts Bag (Includes 2 Screws & 2 Hose Clamps)
---	---------	--

FOR ORDERING INFORMATION REFER TO PARTS PRICE LIST