

PARTS
LIST
FOR

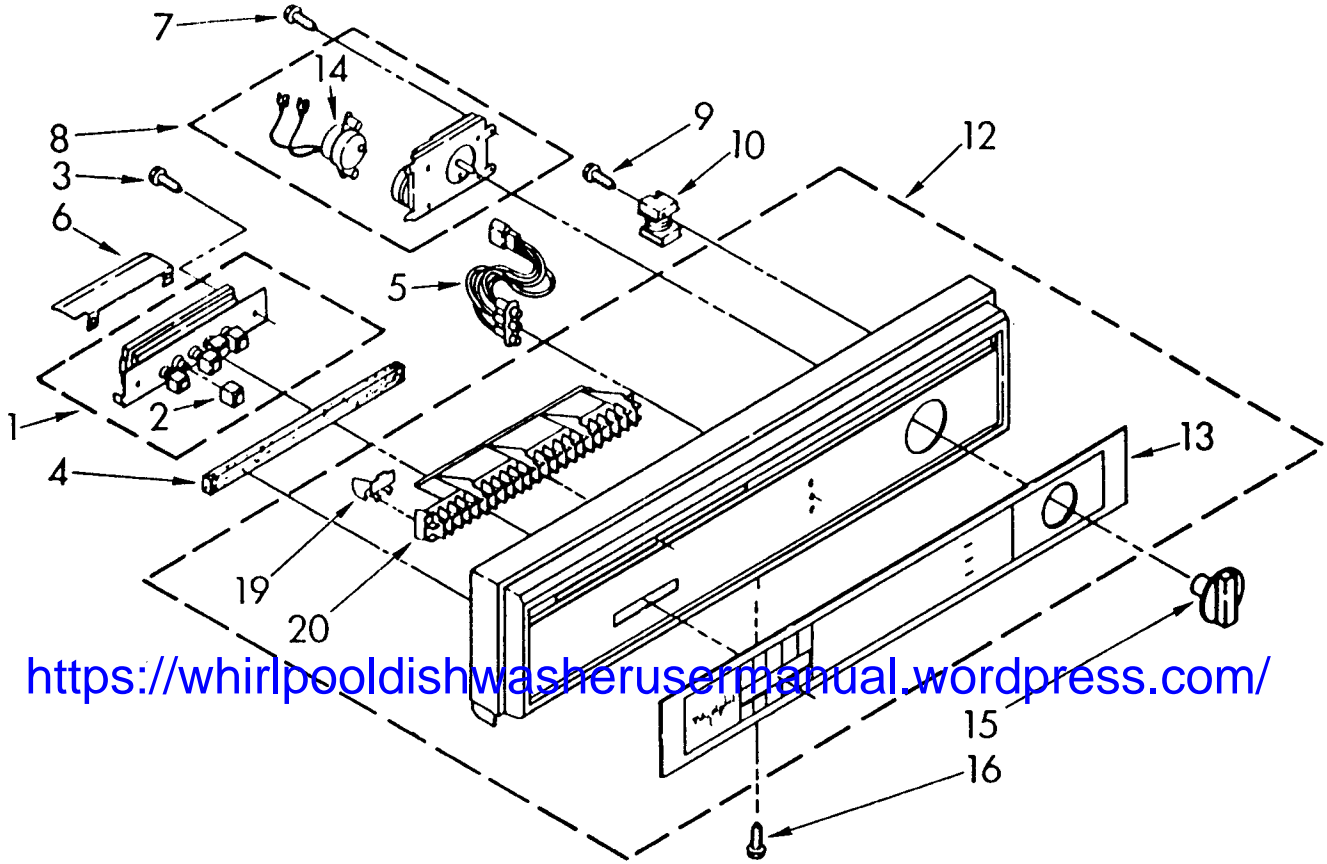


MODEL
DU9000XR-4

Black, Almond

UNDERCOUNTER DISHWASHER

CONSOLE PARTS



<https://whirlpooldishwasherusermanual.wordpress.com/>



3-89 Litho in U.S.A.

Whirlpool CORPORATION
Benton Harbor, Michigan.
© 1989 WHIRLPOOL CORPORATION



Part No. 3368467 Rev A.

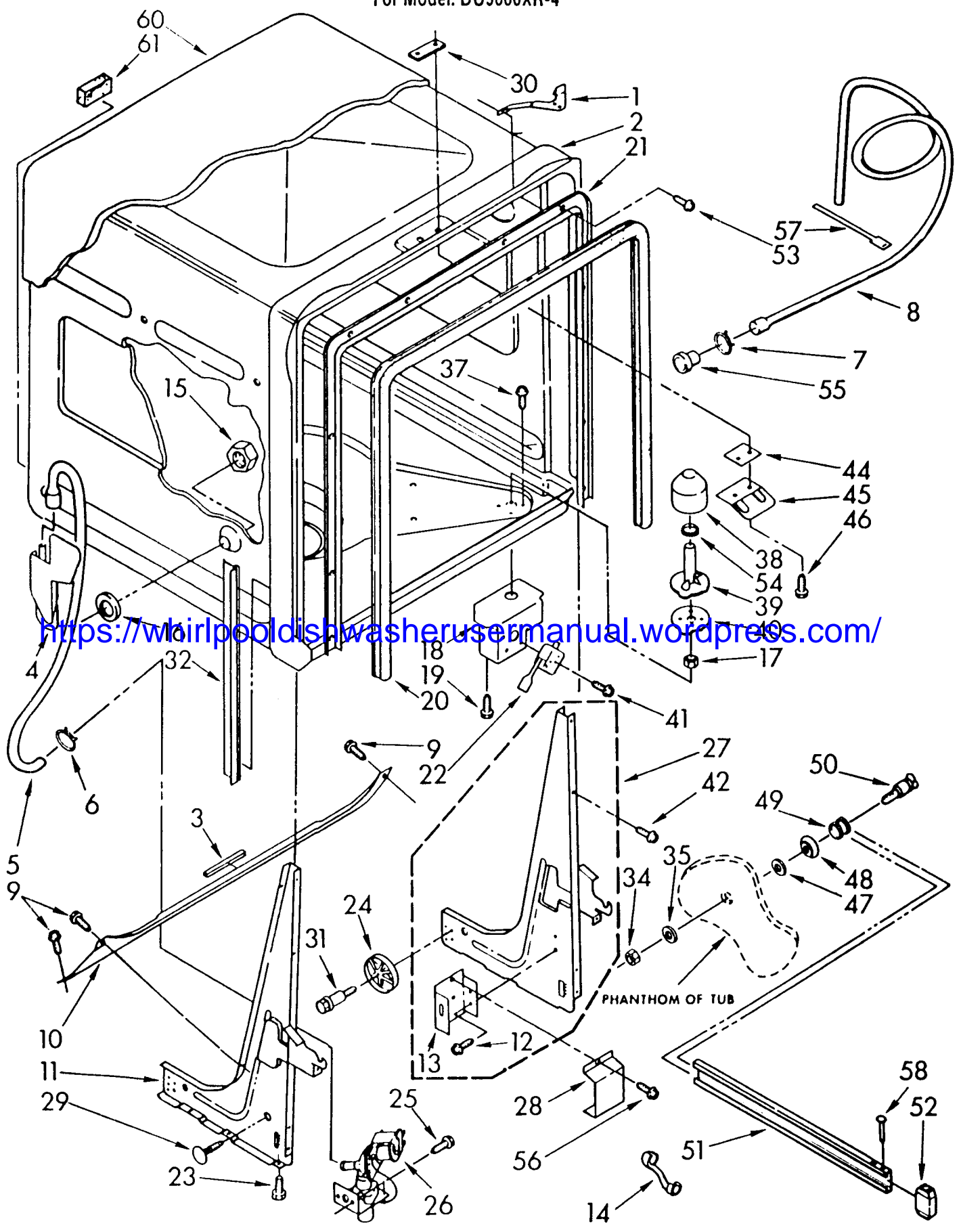
Get More Manual <http://www.pdflook.com/>

1	3368539	Switch, Pushbutton
2	304456	Button (5)
3	304231	Screw, 8-16 x 1/2 Slot Hex Wash Hd (2)
4	3368537	Baffle
5	304474	Light, Indicator (For Electrical Connector Only, See Wiring Harness Page.)
6	3368538	Shield, Sound
7	304231	Screw, 8-16 x 1/2 Slot Hex Wash Hd (3)
8	304462	Timer
9	304232	Screw, 8-18 x 1-3/8 Slot Hex Wash Hd
10	304409	Relay, Start
12	304612	Console
13	304546	Insert, Decorative
14	301074	Motor, Timer
15	304574	Knob, Timer
16	304234	Screw, 8-18 x 5/8 Hi-Lo (2)
19	304604	Cover, Grill
20	304602	Grill, Vent (Includes Illus. 19)

<https://whirlpooldishwasherusermanual.wordpress.com/>

TUB PARTS

For Model: DU9000XR-4



<https://whirlpooldishwasherusermanual.wordpress.com/>

FOR ORDERING INFORMATION REFER TO PARTS PRICE LIST

1	300796	Bracket, Mounting (2)
2	3367464	Tub Assembly
3	303294	Edge Protector
4	3367572	Inlet, Water
5	3368563	Hose, Inlet
6	301958	Clamp
7	356138	Clamp
8	304626	Hose, Drain
9	302868	Screw, 8A x 3/8 Hex Head Tapping (4)
10	3368647	Brace
11	3367284	Leg & Hinge Assembly, L.H.
12	718178	Screw, 8-32 x 3/8 Hex Washer Head Slotted Tapping Ground (1)
13	300067	Box Terminal
14	717563	Relief, Strain
15	713799	Nut, 7/8-16 Polypropylene (1)
16	713878	Gasket
17	717488	Nut, 1/8 Self-Threading (1)
18	719342	Bracket, Overflow
19	718250	Screw, 8 x 1/2 Hi-Lo Blunt Point (3)
20	3368007	Gasket
21	3368002	Retainer & Seal
22	660741	Switch, Pressure
	301671	Alternate
	301672	Alternate
	304589	Alternate
23	302849	Leveling Leg
24	302819	Wheel, Leg
25	90767	Screw, 8A x 3/8 Hex Head Tapping (2)
26	660995	Valve, Water Inlet
	303650	Alternate
	300453	Alternate
27	3367498	Leg & Hinge Assembly, R.H.
28	300068	Cover, Terminal Box
29	304604	Bracket
30	303080	Nut, Twin Spring
31	302818	Screw, Shoulder
32	3368112	Retainer, Sound Shield
34	718829	Locknut, 10-32 (8)
35	717624	Washer (8)
37	717236	Screw, 8-18 x 1/2 Pan Head, Tapping (1)
38	718035	Float
39	719967	Standpipe, Overflow
40	719966	Gasket, Overflow
41	302203	Screw, 4-40 x 5/8 Hex Head Slotted Thread Cutting (1)
42	90767	Screw, 8A x 3/8 Hex-Head Tapping Ground (2)
44	712302	Shim
45	300233	Strike
46	3367670	Screw, 10-16 x 1/2 (2)
47	718750	Washer (8)
48	718817	Washer, Cup (8)
49	300844	Wheel Assembly (8)
50	712499	Screw, Shoulder (8)
51	303297	Track (2)
52	303299	End Cap, Track (4)
53	3368008	Screw, 8-18 x 5/8 (10)
54	301662	Gasket (2)
55	301656	Insert, Cup-Hose
56	90767	Screw, 8A x 3/8 Hex-Head Tapping (1)
57	596490	Clip, Strap
58	303298	Pin, Track (4)
60	304663	Shield, Sound
61	3368107	Block, Foam

<https://whirlpooldishwasherusermanual.wordpress.com/>

OPTIONAL PARTS NOT INCLUDED

PAINT, TOUCH UP (1/2 oz.)

72017	White
72107	Almond
72110	Golden Harvest
72112	Toast
72113	Platinum

PAINT PRESSURIZED SPRAY (13 oz.)

350930	White
350956	Almond
261890	Golden Harvest
285006	Superior Black
285365	Toast
285366	Platinum
206922	Primer (White)
350941	Leveler (Thinner)

PAINT, TOUCH UP (1 qt.)

799344	White (Uncut)
978883	Almond (Uncut)
261887	Coffee (Uncut)
261889	New Avocado (Uncut)
261891	Golden Harvest (Uncut)
285367	Toast (Uncut)
285368	Platinum (Uncut)

TUB LINER REPAIR

799640	Kit, Epoxy Patch (White)
--------	--------------------------

DISHRACK REPAIR

675476	Tine Tip Repair Kit (Blue-Enough For Two Complete Dishracks)
675506	Tine Tip Repair Kit (Blue-Enough For Two Complete Dishracks)

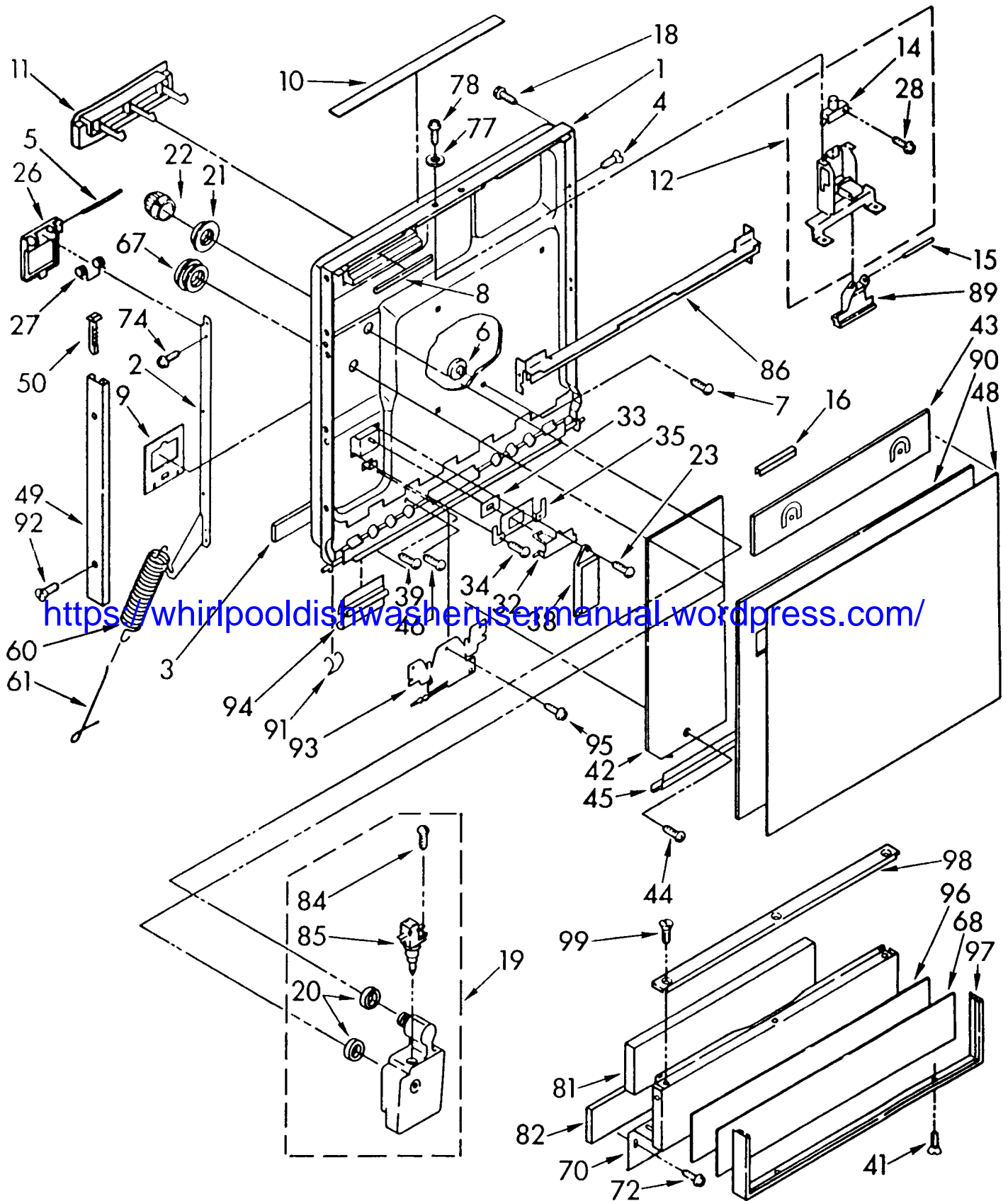
LITERATURE PARTS

LIT3367228	Instructions, Installation
LIT3367007	Instructions, Installation (Supplement) (Locating Your Water Supply)
LIT3368594	Energy Guide
LIT304271	Guide, Use & Care
LIT304473	Label, Wiring Diagram
LIT3368467	List, Parts

<https://whirlpooldishwasherusermanual.wordpress.com/>

DOOR PARTS

For Model: DU9000XR-4



<https://whirlpooldishwasherusermanual.wordpress.com/>

FOR ORDERING INFORMATION REFER TO PARTS PRICE LIST

1	3367389	Door, Inner
2	3367201	Support, Door (R.H.)
	3367202	Support, Door (L.H.)
3	717921	Gasket, Door
4	304392	Screw, 8-18 x 1/2 Hex Wash Hd Tapping (2)
5	300115	Pin, Lid Hinge
6	300239	Button, Retainer (5)
7	300250	Screw, 8-18 x 3/8 Hi-Lo (5)
8	719860	Baffle
9	303978	Barrier
10	LIT303498	Label, User Guide
11	300246	Screen, Vent
12	3367058	Latch Assembly
14	660951	Switch, Interlock
	300232	Alternate
	303885	Alternate
15	300234	Pin, Pivot
16	303294	Edge Protector
18	304233	Screw, 8-18 x 1-7/8 Truss Head Tapping (2)
19	304442	Dispenser, Wetting Agent
20	713080	Washer (2)
21	718575	Nut, 1-14 Buttress Thread (1)
22	303163	Indicator, Level
23	304231	Screw, 8 x 1/2 Hi-Lo Blunt Point
26	300155	Lid, Detergent Dispenser Assembly
27	300106	Spring, Lid
28	301582	Screw, 6-32 x 1 Hex-Head Tapping (1)
32	300119	Lever, Catch
33	300105	Seal, Lever
34	304231	Screw, 8 x 1/2 Hi-Lo Blunt Point (2)
35	300104	Retainer, Seal
38	300109	Actuator
39	304231	Screw, 8 x 1/2 Hi-Lo Blunt Point (1)
41	302868	Screw, 8-18 x 1/2 Phlps Hex Wash Hd Tapping (2)
42	303906	Barrier, Door
43	303908	Barrier, Console
44	688983	Screw, 8-18 x 5/8 (2)
45	304047	Panel, Edging (Door)
46	90767	Screw, 8A x 3/8 Ground (1)
48		Panel, Front
49	3367206	Trim, Door R.H.
	3367207	Trim, Door L.H.
50	3367172	Clip, Trim Guard (2)
60	3367658	Spring, Door
61	716401	Retainer, Spring
67	718576	Cap, Drip
68		Panel, Access
70	3367671	Plate, Toe
72	302868	Screw, 8-18 x 1/2 Hex-Head Tapping (4)
74	300128	Screw, 8-18 x 1/2 (4)
77	300237	Washer
78	90767	Screw, 8A x 3/8 Hex-Head Tapping (3)
81	304660	Shield, Sound
82	304661	Shield, Sound
84	304444	Screw, 4-20 x 3/8 Torx Pan Hd (2)
85	304443	Actuator
86	304391	Rail, Support

<https://whirlpooldishwasherusermanual.wordpress.com/>

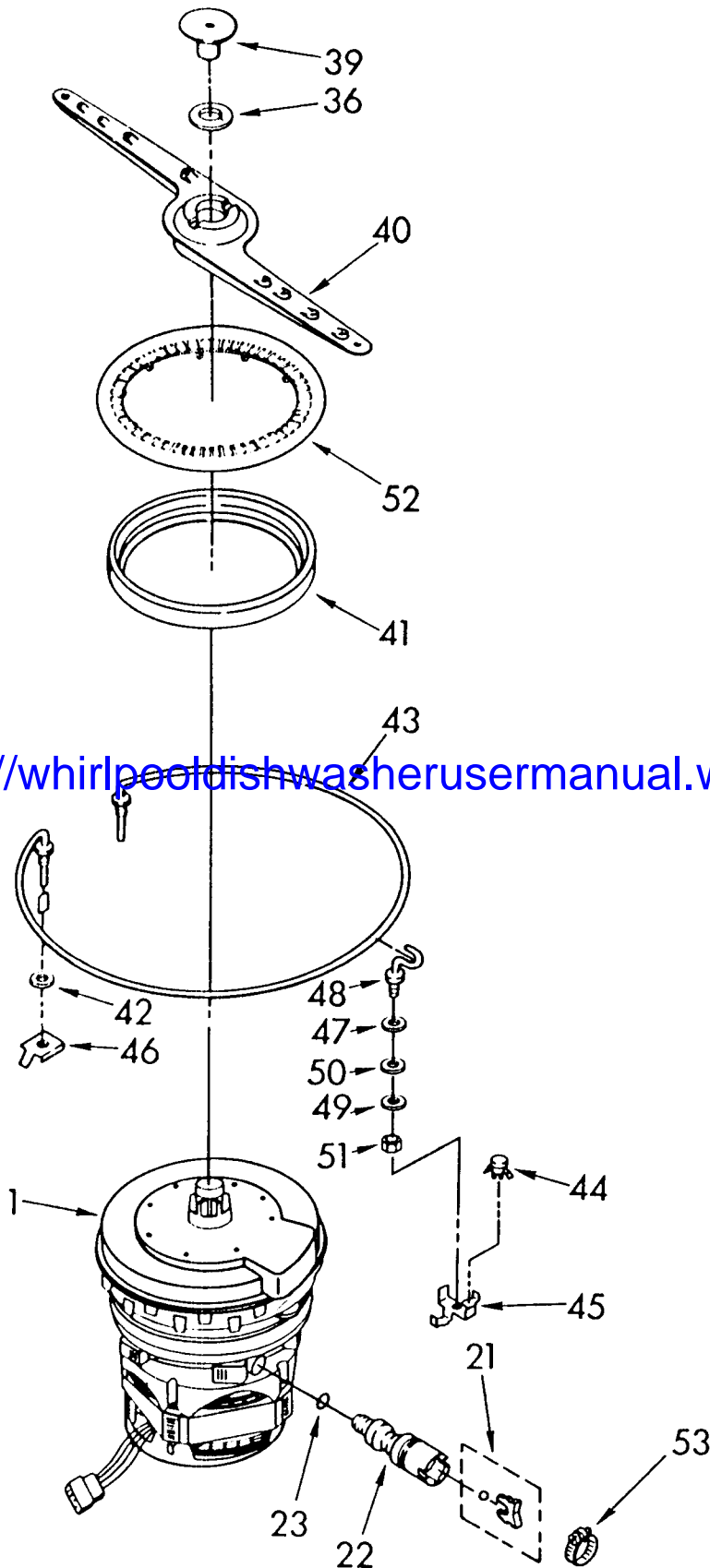
89	304408	Lever, Release
90	301957	Spacer, Corrugated
91	301857	Clip, Wire (2)
92	3367288	Screw, 8 - 18 (4)
93	303362	Shield, Harness
94	3367720	Retainer, Clip
95	303090	Screw, 8A x 3/8 Hex Head Tapping
96	303755	Spacer, Corrugated
97	303753	Trim, Access Panel
98	303754	Trim, Access Panel Top
99	302251	Screw, 8 x 1/2 Phlps. Oval Hd Tapping (3)

|Refer To Dishwasher Replacement Panel Parts List No. 675345.

<https://whirlpooldishwasherusermanual.wordpress.com/>

HEATER, PUMP AND LOWER SPRAYARM PARTS

For Model: DU9000XR-4



<https://whirlpooldishwasherusermanual.wordpress.com/>

FOR ORDERING INFORMATION REFER TO PARTS PRICE LIST

1 3367725 Pump & Motor Assembly (Includes Illus. 41)

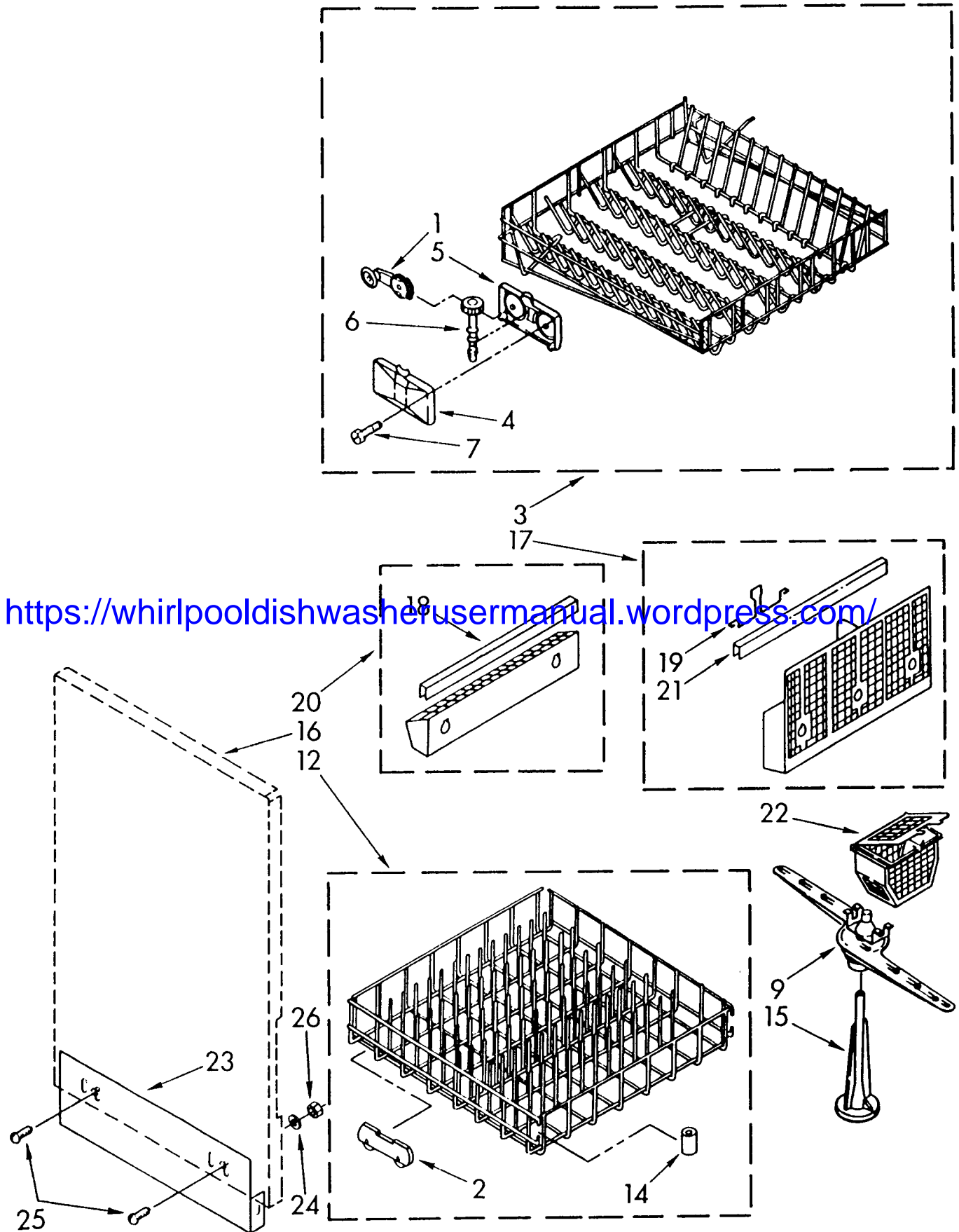
For breakdown of pump Parts, Refer To Pump And Motor Parts Page.

21	675488	Check Ball & Retainer
22	300800	Valve, Check (Includes Illus. 21 & 23)
23	95080	"O" Ring
36	719576	Bearing Nozzle
39	3367198	Cap, Nozzle
40	302767	Spray Arm, Lower
41	717000	Gasket, Pump
42	717273	Washer, Rubber (2)
43	660318	Heater
	719687	Alternate
	302113	Alternate
44	661504	Thermostat
	303652	Alternate
	303282	Alternate
45	3368272	Bracket
46	718537	Nut, 7/16 x 20 (2)
47	717289	Washer Retainer (2)
48	717096	Support, Heater (2)
49	711284	Washer (2)
50	14351	Washer (2)
51	120614	Nut, 10-32 (2)
52	303469	Grate
53	3367052	Clamp, Hose

<https://whirlpooldishwasherusermanual.wordpress.com/>

DISHRACK PARTS

For Model: DU9000XR-4



FOR ORDERING INFORMATION REFER TO PARTS PRICE LIST

1	301120	Wheel & Axle Assembly (4)
2	3368747	Wheel & Shroud Assembly (4)
3	3368078	Dishrack, Upper
4	301066	Cover, Housing (2)
5	301065	Housing, Gear (2)
6	301067	Worm, Dishrack (2)
7	301077	Screw (8)
9	303569	Spray Arm
12	3368823	Dishrack, Lower
14	717970	Bumper (2)
15	300848	Tower
16		Panel, Reversible Side
17	304779	Silverware Basket
18	717528	Trim, Basket
19	300086	Handle Basket
20	304781	Utinsil Basket Assembly
21	717528	Trim, Basket
22	3369353	Basket, Small Items
23	3367549	Panel, Lower Side
24	12035	Washer, Lower Side Panel Mounting (2)
25	9419621	Screw, Lower Side Panel Mounting (2)
26	965176	Nut, Lower Side Panel Mounting (2)

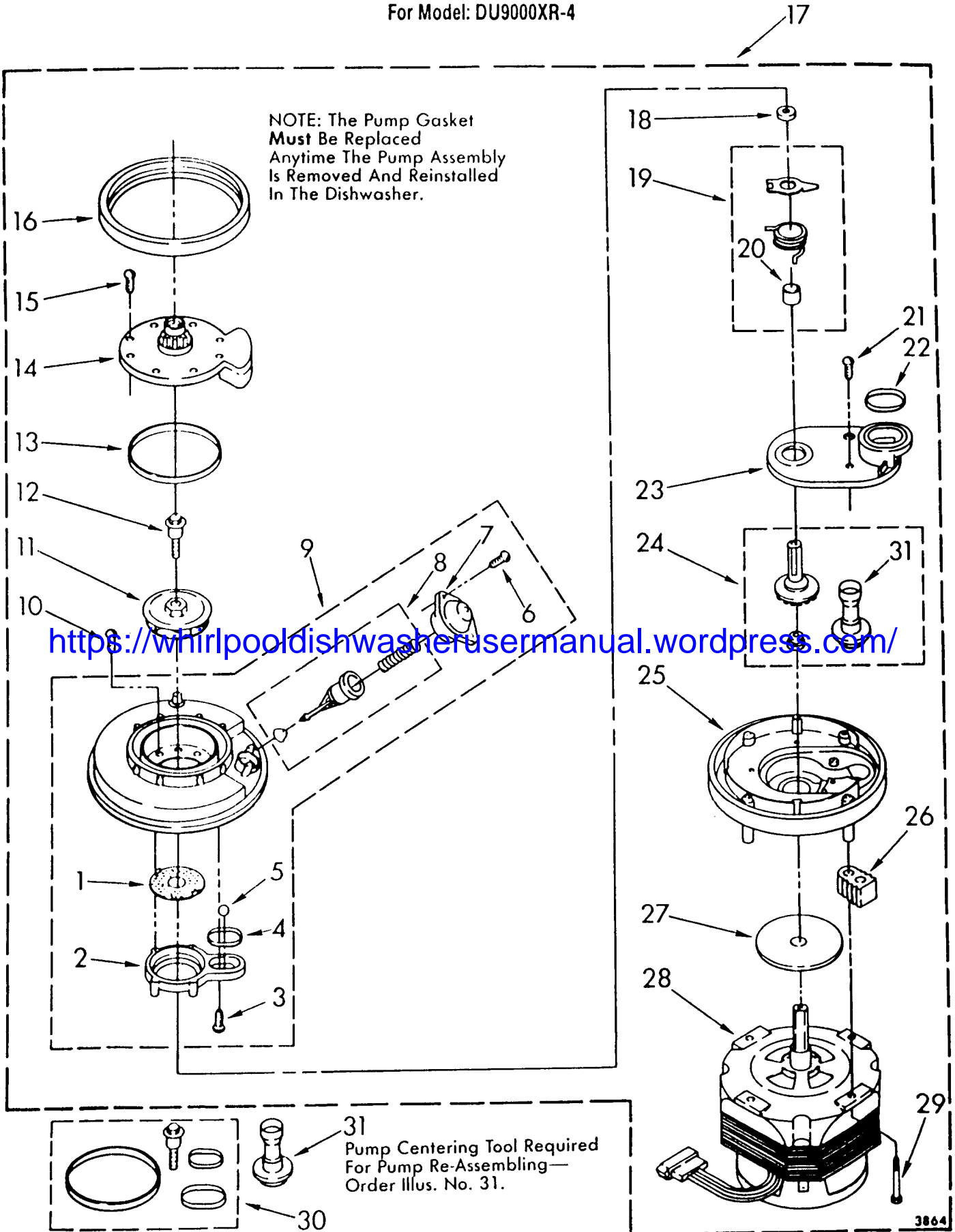
|Refer To Dishwasher Replacement
Panel Parts List No. 675345.

<https://whirlpooldishwasherusermanual.wordpress.com/>

PUMP AND MOTOR PARTS

For Model: DU9000XR-4

NOTE: The Pump Gasket
Must Be Replaced
Anytime The Pump Assembly
Is Removed And Reinstalled
In The Dishwasher.



FOR ORDERING INFORMATION REFER TO PARTS PRICE LIST

3368467

8

Get More Manual <http://www.pdflook.com/>

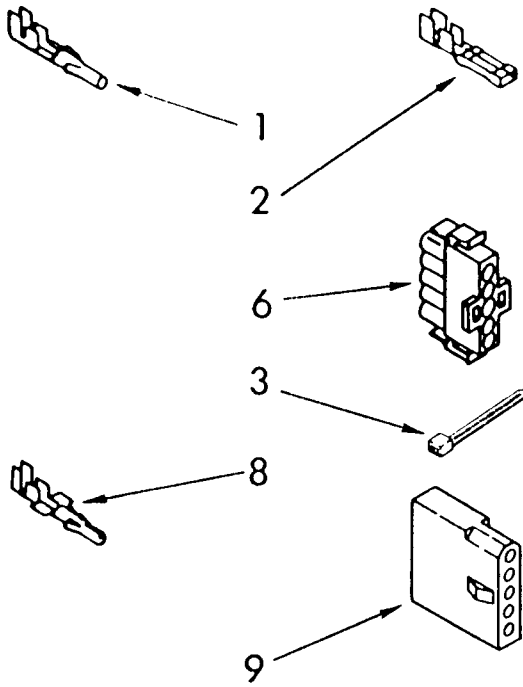
1	302720	Plate, Perforated (Includes Illus. 5) (Also Order Illus. No. 30) See Note A.
2	3367173	Base, Inlet (Includes Illus. 1 & 5) (Also Order Illus. No. 30) See Note A.
3	303573	Screw, 8-18 x 5/8 St. Stl.
4	302710	Seal, Inlet Base
5	302709	Ball, Check
6	303573	Screw, 8-18 x 5/8 St. Stl. (2)
7	302721	Cover, Valve
8	302738	Valve Stem Kit (Includes Illus. 12, 13 & 22) See Note A.
9	303883	Separator Assembly (Includes Illus. 12, 13 & 22) See Note A.
10	302717	Screw, 8-18 x 1-5/8 St. Stl. (4)
11	303510	Impeller, Wash (Includes Illus. 12 & 13)
12	303516	Screw & Seal, 10-32 x 3/4
13	302711	Seal, Pump Outlet
14	302730	Outlet, Pump (Includes Illus. 13)
15	303573	Screw, 8-18 x 5/8 St. Stl. (8)
16	717000	Gasket, Pump
17	3367725	Pump & Motor Assembly
18	302707	Bushing, Grind
19	302718	Chopper Kit (Also Order Illus. No. 30) See Note A.
20	302705	Sleeve, Drain Impeller
21	718258	Screw, 8-18 x 5/8
22	302704	Seal, Drain Cover
23	302723	Cover, Drain (Also Order Illus. No. 30) See Note A.
24	675514	Impeller, Drain Kit (Includes Illus. 31) (Also Order Illus. No. 30)
25	3367204	Base, Pump (Includes Illus. 24) (Also Order Illus. No. 30)
26	3367197	Support, Pump Mounting (4)
27	303252	Slinger (See Note A.)
28	3367726	Motor (Includes Illus. 24, 27 & 31) (Also Order Illus. No. 30) (For Electrical Connector Only, See Wiring Harness Page)
29	301817	Screw, 13-18 x 1-1/2
30	675505	Pump Seal Kit (Includes Illus. 4, 13 & 22)
31	303918	Tool, Pump Centering (Included With Illus. 24)

NOTE A: Pump Centering tool required. For Pump Re-Assembling Order Illus. No. 31.

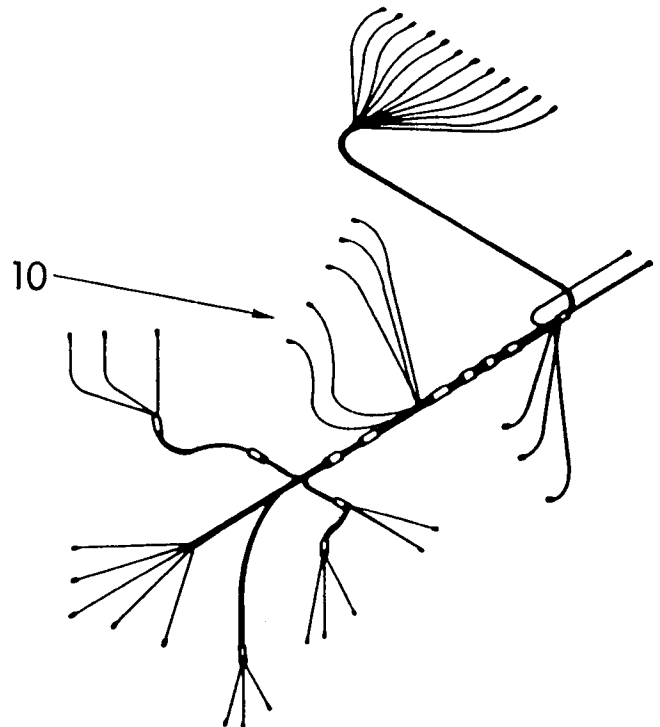
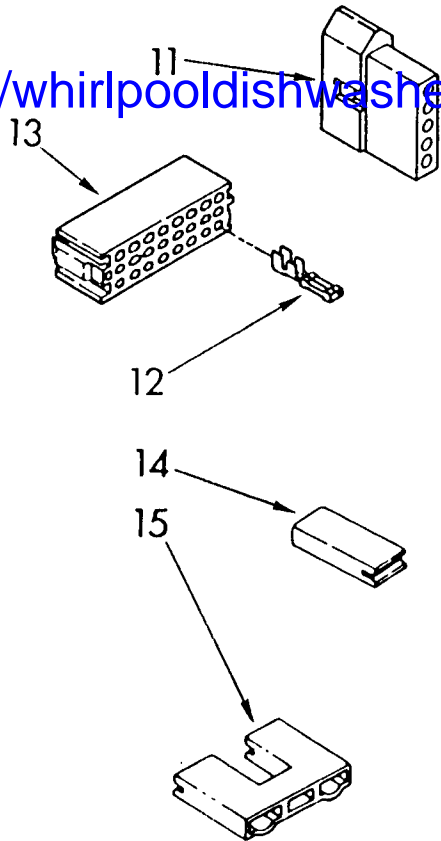
<https://whirlpooldishwasherusermanual.wordpress.com/>

WIRING HARNESS PARTS

For Model: DU9000XR-4



<https://whirlpooldishwasherusermanual.wordpress.com/>



FOR ORDERING INFORMATION REFER TO PARTS PRICE LIST

1	94614	Terminal
2	352088	Terminal, Female
3	309330	Tie, Cable
6	388500	Connector, 5 Terminal
8	94613	Terminal
9	719585	Receptacle (5-Circuit)
10	304512	Harness, Wiring
11	719584	Cap, 5 Pin
12	304759	Terminal, Timer
13		Block, Timer
	304758	Black
	304757	White
14		Connector Block
	301219	Alternate
	358736	Alternate
15		Connector Block
	300708	Alternate
	374230	Alternate

<https://whirlpooldishwasherusermanual.wordpress.com/>