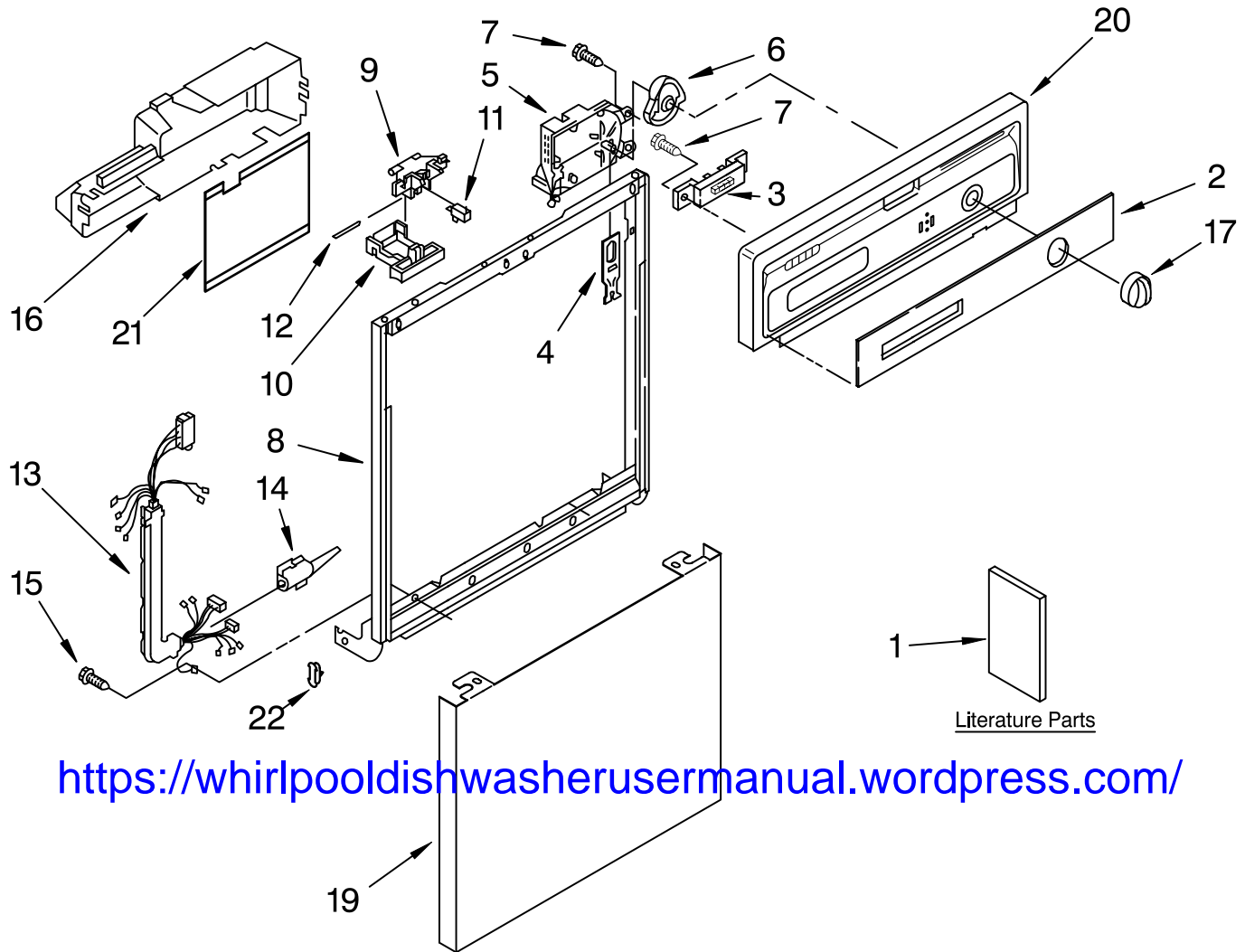




FRAME AND CONSOLE PARTS

For Models: DU850SWPB2, DU850SWPQ2, DU850SWPT2, DU850SWPS2
(Black) (White) (Biscuit) (Stainless)

UNDERCOUNTER
DISHWASHER



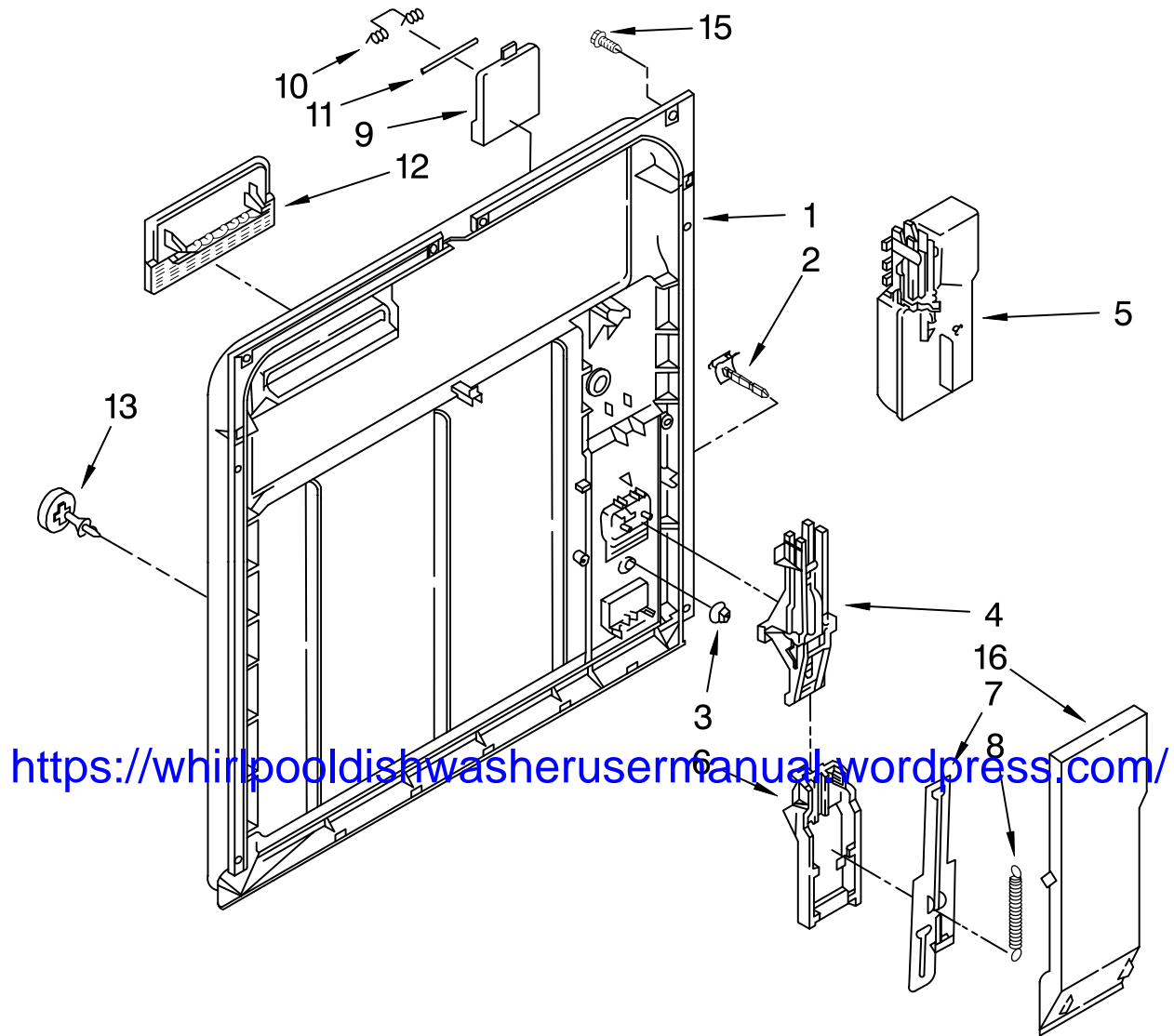
<https://whirlpooledishwasherusermanual.wordpress.com/>

Illus. No.	Part No.	DESCRIPTION	Illus. No.	Part No.	DESCRIPTION	Illus. No.	Part No.	DESCRIPTION
1		Literature Parts	4	3369529	Follower, Cam	17		Knob, Timer
	8535436	Instructions, Installation	5	8535368	Timer		8275308	Black
	3367007	Instructions, Installation (Supplement) (Locating Your Water Supply)	6	8271510	Cam		8275309	White
	8535639	Guide, Energy	7	304231	Screw, 8-18 x 1/2 (5)		8275310	Biscuit
	8575989	Guide, Use & Care	8		Door Frame	19		Panel, Front
	3385497	Diagram, Wiring		9743028	Black		3379375	Black
	677967	Do-It Yourself Manual	9	3380854	Bolt, Latch		3379376	White
2		Insert, Console	10		Lever, Latch		8054178	Biscuit
	8535383	Black		3369457	Black	20		Console (Includes Item 2)
	8535384	White		3372231	White		8535328	Black
	8575664	Biscuit	11	3369325	Switch, (2)		8535329	White
3	8269366	Switch, 5 Button	12	3368955	Pin, Switch (2)		8575346	Biscuit
			13	8573183	Harness and Protector	21	3379671	Shield, Control Cover
			14	3376405	Elbow, Harness	22	3373234	Bearing, Spring (2)
			15	3400892	Screw,			
			16	8269526	Cover, Control			

FOR ORDERING INFORMATION REFER TO PARTS PRICE LIST

INNER DOOR PARTS

For Models: DU850SWPB2, DU850SWPQ2, DU850SWPT2, DU850SWPS2
(Black) (White) (Biscuit) (Stainless)

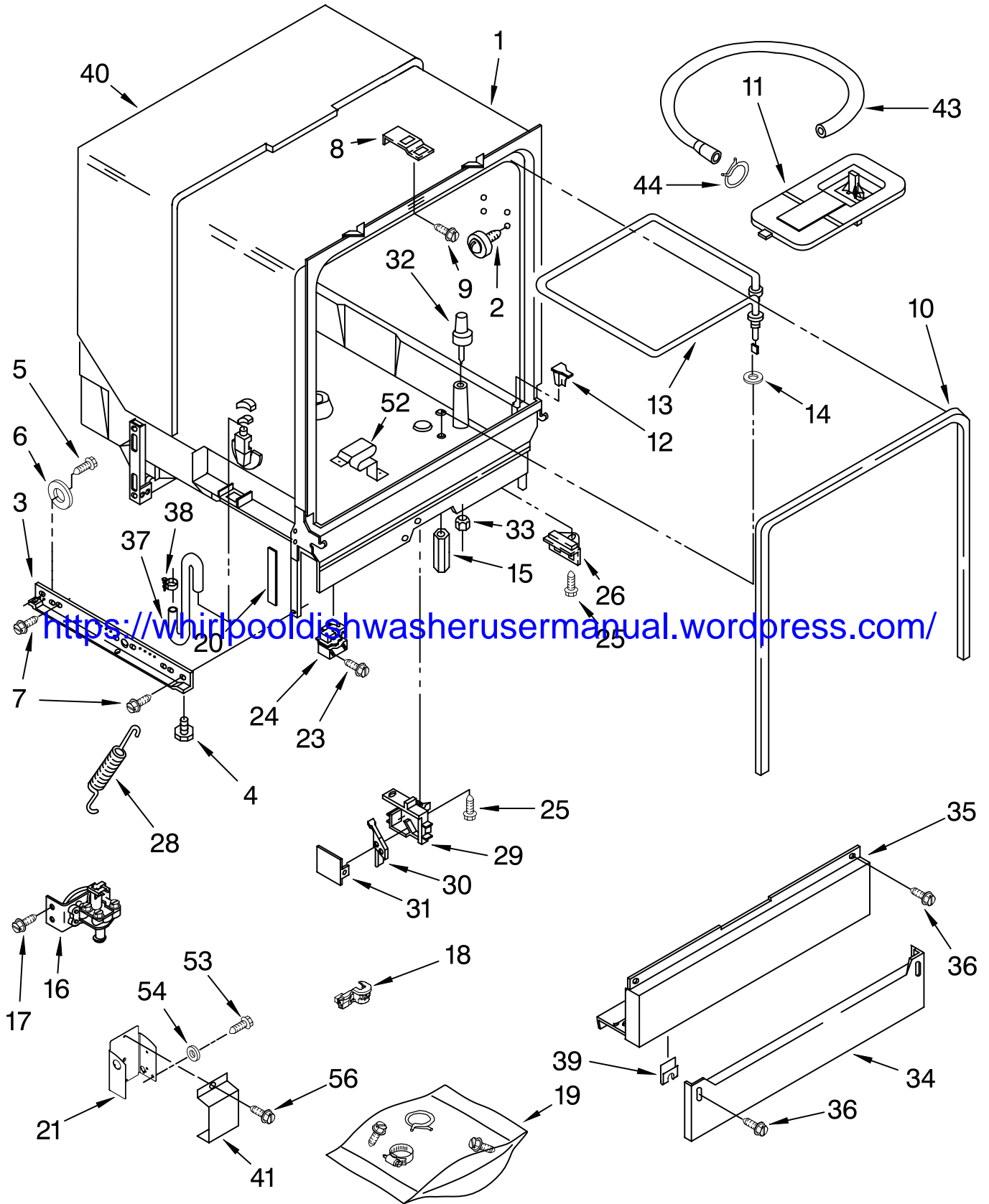


Illus. No.	Part No.	DESCRIPTION	Illus. No.	Part No.	DESCRIPTION	Illus. No.	Part No.	DESCRIPTION
1	8528310	Inner Door (Includes Items 2 & 3)	4	8519606	Actuator Assembly	9	3385001	Lid Assembly
2	3376066	Latch, Detergent Dispenser (Includes Item 3)	5	8052027	Wet Agent, Dispenser	10	8066018	Spring, Lid
3	3369061	Snap, Detergent Dispenser (Includes Item 2)	6	3369000	Draw Bar (Upper Dispenser)	11	3372028	Pin (Lid Hinge)
			7	8066017	Draw Bar (Lower Dispenser)	12	3371710	Screen, Vent
			8	3368999	Spring (Draw Bar)	13	3378134	Cap, Wet Agent
						15	3400815	Screw (8)
						16	3371569	Cover, Drip

FOR ORDERING INFORMATION REFER TO PARTS PRICE LIST

TUB ASSEMBLY PARTS

For Models: DU850SWPB2, DU850SWPQ2, DU850SWPT2, DU850SWPS2
(Black) (White) (Biscuit) (Stainless)



FOR ORDERING INFORMATION REFER TO PARTS PRICE LIST

TUB ASSEMBLY PARTS

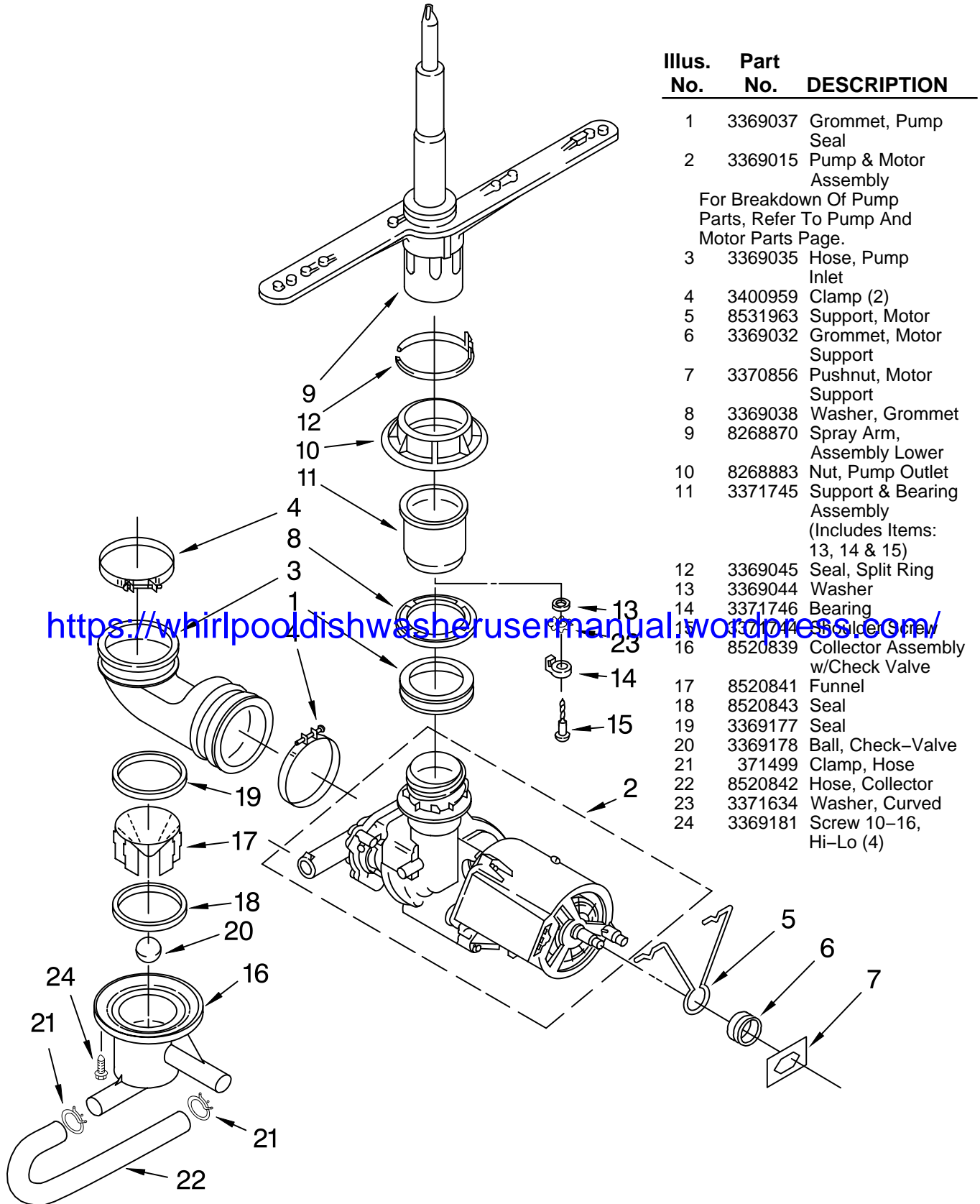
For Models: DU850SWPB2, DU850SWPQ2, DU850SWPT2, DU850SWPS2
(Black) (White) (Biscuit) (Stainless)

Illus. No.	Part No.	DESCRIPTION	Illus. No.	Part No.	DESCRIPTION	Illus. No.	Part No.	DESCRIPTION
1	8533815	Tub and Support Assembly	18	8573061	Strain Relief	35		Panel, Access (Includes Item 39)
2	8528831	Tub, Wheel Assembly (8)	19	3369816	Miscellaneous Parts Bag (Includes 2 Screws & 2 Hose Clamps)		3379917	Black
3	3368933	Runner (2)					3379918	White
4	3374849	Leveler (2)	20	8052018	Pad, Friction		8054179	Biscuit
5	3370389	Screw, Shoulder (2)	21	8573951	Terminal Box	36	302868	Screw, 8-18 x 1/2 (4)
6	302819	Wheel (2)	23	3370225	Screw	37	3369414	Hose, Inlet
7	343641	Screw, 10-16 x 1/2 (4)	24	3369063	Relay	38	301958	Clamp
8	3378149	Plate, Latch	25	304231	Screw	39	3378123	Clip, Grounding
9	3374720	Screw	26	3368928	Fuse, Thermal	40	8531031	Sound Shield
10	3376927	Gasket	28	3379383	Spring, Door (2)	41	300068	Cover Assembly, Terminal Box
11	3369322	Grate	29	8318218	Housing, Float Switch	43	3374077	Drain Hose
12	8528862	Deflector (2)	30	3369067	Switch, Float	44	356138	Hose Clamp
13	8519827	Heater	31	8318219	Cover, Switch Housing	52	3379740	Support, Heater (3)
14	717273	Washer, Rubber (2)	32	8519552	Float	53	3400014	Screw
15	8268548	Nut (2) (Heater Terminal)	33	717488	Nut	54	3378128	Washer
16	8283345	Water Valve	34		Panel, Toe	56	3369138	Screw, 8-18
17	304392	Screw, 8-18 x 1/2		3368942	Black			
				9742861	White			
				8054181	Biscuit			

<https://whirlpooldishwasherusermanual.wordpress.com/>

PUMP AND SPRAY ARM PARTS

For Models: DU850SWPB2, DU850SWPQ2, DU850SWPT2, DU850SWPS2
 (Black) (White) (Biscuit) (Stainless)



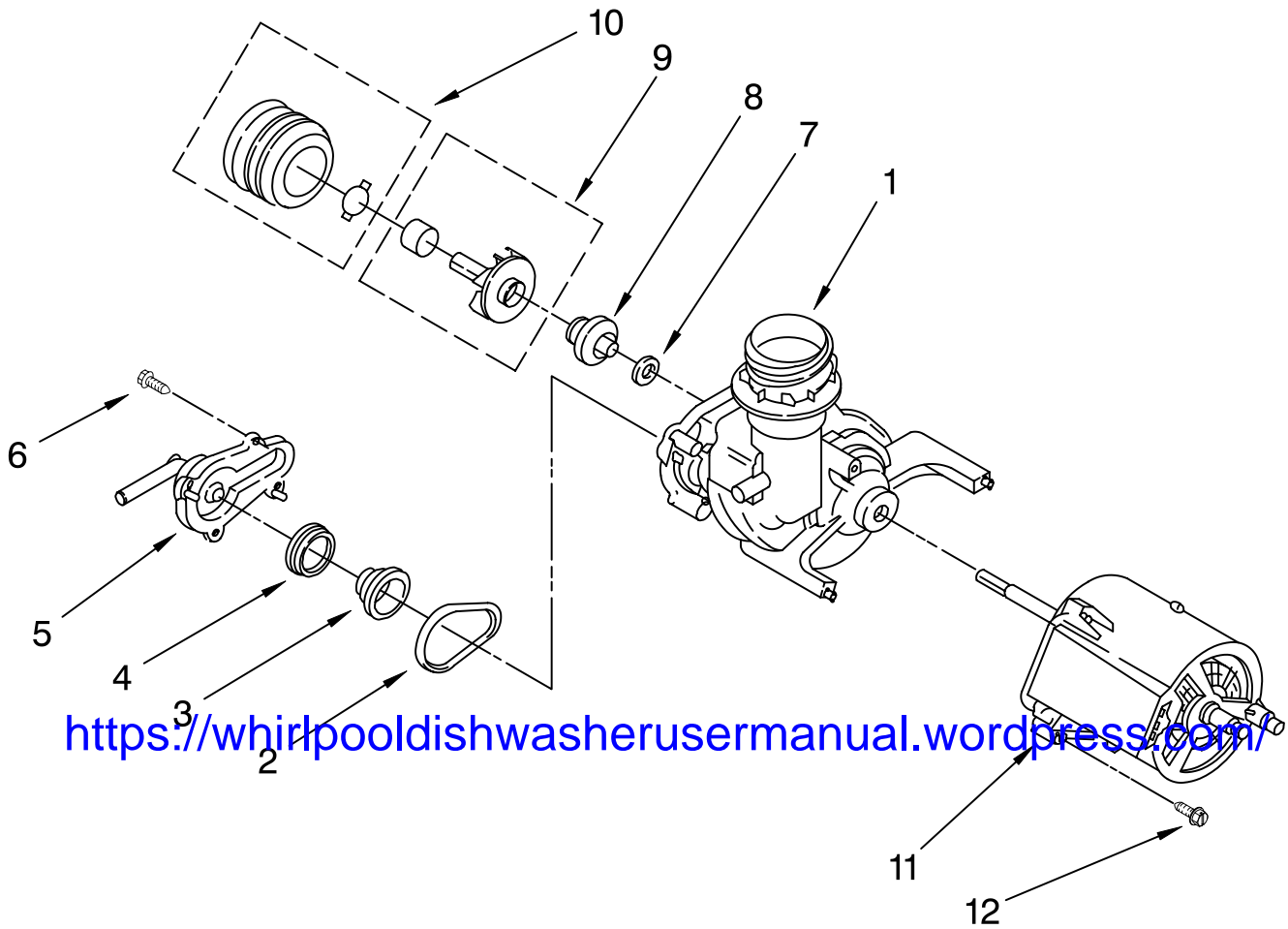
Illus. No.	Part No.	DESCRIPTION
1	3369037	Grommet, Pump Seal
2	3369015	Pump & Motor Assembly
For Breakdown Of Pump Parts, Refer To Pump And Motor Parts Page.		
3	3369035	Hose, Pump Inlet
4	3400959	Clamp (2)
5	8531963	Support, Motor
6	3369032	Grommet, Motor Support
7	3370856	Pushnut, Motor Support
8	3369038	Washer, Grommet
9	8268870	Spray Arm, Assembly Lower
10	8268883	Nut, Pump Outlet
11	3371745	Support & Bearing Assembly (Includes Items: 13, 14 & 15)
12	3369045	Seal, Split Ring
13	3369044	Washer
14	3371746	Bearing
15	3371747	Split Ring
16	8520839	Collector Assembly w/Check Valve
17	8520841	Funnel
18	8520843	Seal
19	3369177	Seal
20	3369178	Ball, Check-Valve
21	371499	Clamp, Hose
22	8520842	Hose, Collector
23	3371634	Washer, Curved
24	3369181	Screw 10-16, Hi-Lo (4)

<https://whirlpooldishwasherusermanual.wordpress.com/>

FOR ORDERING INFORMATION REFER TO PARTS PRICE LIST

PUMP AND MOTOR PARTS

For Models: DU850SWPB2, DU850SWPQ2, DU850SWPT2, DU850SWPS2
 (Black) (White) (Biscuit) (Stainless)



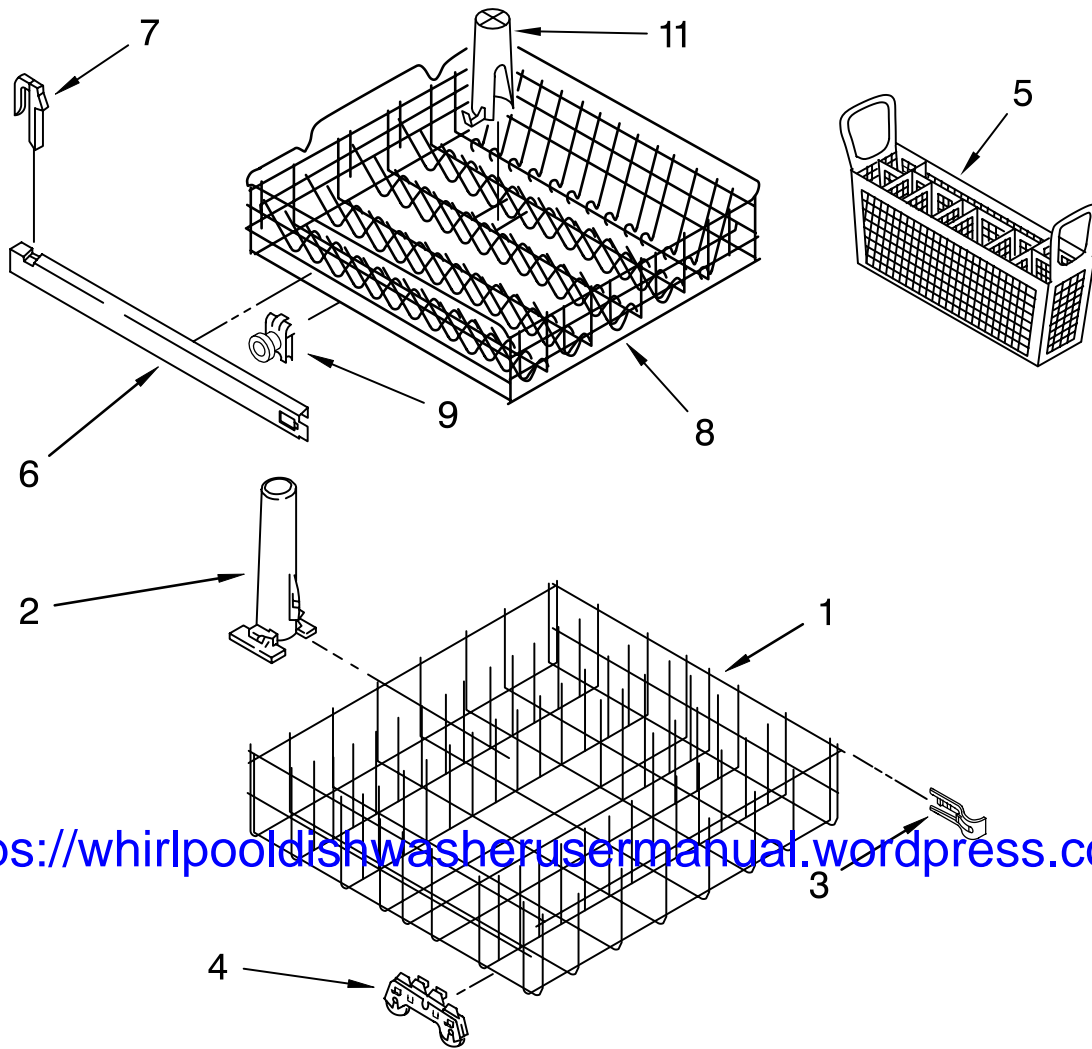
<https://whirlpooldishwasherusermanual.wordpress.com/>

Illus. No.	Part No.	DESCRIPTION
1	3369011	Housing Assembly
2	3369031	Seal, Drain Cover
3	3369028	Diaphragm
4	3369029	Ring, Diaphragm
5	3369030	Cover, Drain Valve
6	3368921	Screw (4)
7	3369020	Seal Seat
8	3385557	Seal Head
9	3369013	Impeller & Bearing Assembly
10	3369012	Disk & Mount Assembly
11	8283457	Motor
12	3368922	Screw (3)

FOR ORDERING INFORMATION REFER TO PARTS PRICE LIST

DISHRACK PARTS

For Models: DU850SWPB2, DU850SWPQ2, DU850SWPT2, DU850SWPS2
 (Black) (White) (Biscuit) (Stainless)



<https://whirlpooldishwasherusermanual.wordpress.com/>

Illus. No.	Part No.	DESCRIPTION
1	8539225	Dishrack, Lower
2	8268825	Tower, Protector
3	3385142	Bumper, Dishrack (2)
4	8268645	Wheel & Transport Assembly (4)
5	8268866	Basket, Silverware
6	3385089	Track, Dishrack (2)
7	8524581	Stop, Track (4)
8	8539222	Dishrack, Upper
9	8268852	Wheel & Axle Assembly (4)
11	8519550	Diffuser, Water

FOR ORDERING INFORMATION REFER TO PARTS PRICE LIST

OPTIONAL PARTS (NOT INCLUDED)

For Models: DU850SWPB2, DU850SWPQ2, DU850SWPT2, DU850SWPS2
 (Black) (White) (Biscuit) (Stainless)

Illus. No.	Part No.	DESCRIPTION	Illus. No.	Part No.	DESCRIPTION	Illus. No.	Part No.	DESCRIPTION
<u>ACCESSORIES</u>			<u>PAINT, TOUCH-UP (1/2oz.)</u>			<u>POWER CORD KIT</u>		
	4378867	Side Panel Kits White		72017	White		4317824	Power Cord Kit (Includes Power Cord & Misc. Hardware)
	4378868	Black		72032	Black			
	675788	Biscuit		4392899	Biscuit			
	4378869	Almond						
<u>Custom Trim & Panel Kits</u>			<u>PAINT, PRESSURIZED SPRAY (12 oz.)</u>			<u>ANTI-TIP KIT</u>		
	675775	Black		350930	White		4378968	Floor Mounting Kit
	675776	White		285006	Superior Black			
	675809	Biscuit		4392901	Biscuit			
<u>Moisture Barrier Kit</u>			<u>PAINT, TOUCH-UP (1 qt.)</u>			<u>DISHRACK REPAIR</u>		
	4396277	Kit		799344	White (Uncut)			Tip Tine Repair Kit (Enough for Two Complete Dishracks)
<u>Drain Hose</u>				4392900	Biscuit			4396838 White
	3385556	12 Ft.						4396840 Grey
<u>Heavy Duty Spring Kit</u>								4396854 Silver Atlantis
	4318050	Spring						Vinyl Touch-Up (4 oz.)
								676453 White
								676455 Grey
								4396853 Silver Atlantis

<https://whirlpooldishwasherusermanual.wordpress.com/>