

# PARTS LIST

for



## UNDERCOUNTER DISHWASHER

<https://whirlpooldishwasherusermanual.wordpress.com/>

**MODEL  
DU8500XX-1**

Almond/Black



FOR CUSTOMER SATISFACTION ALWAYS USE  
FACTORY SPECIFICATION PARTS



**Whirlpool** CORPORATION  
Benton Harbor, Michigan.

© 1991 WHIRLPOOL CORPORATION

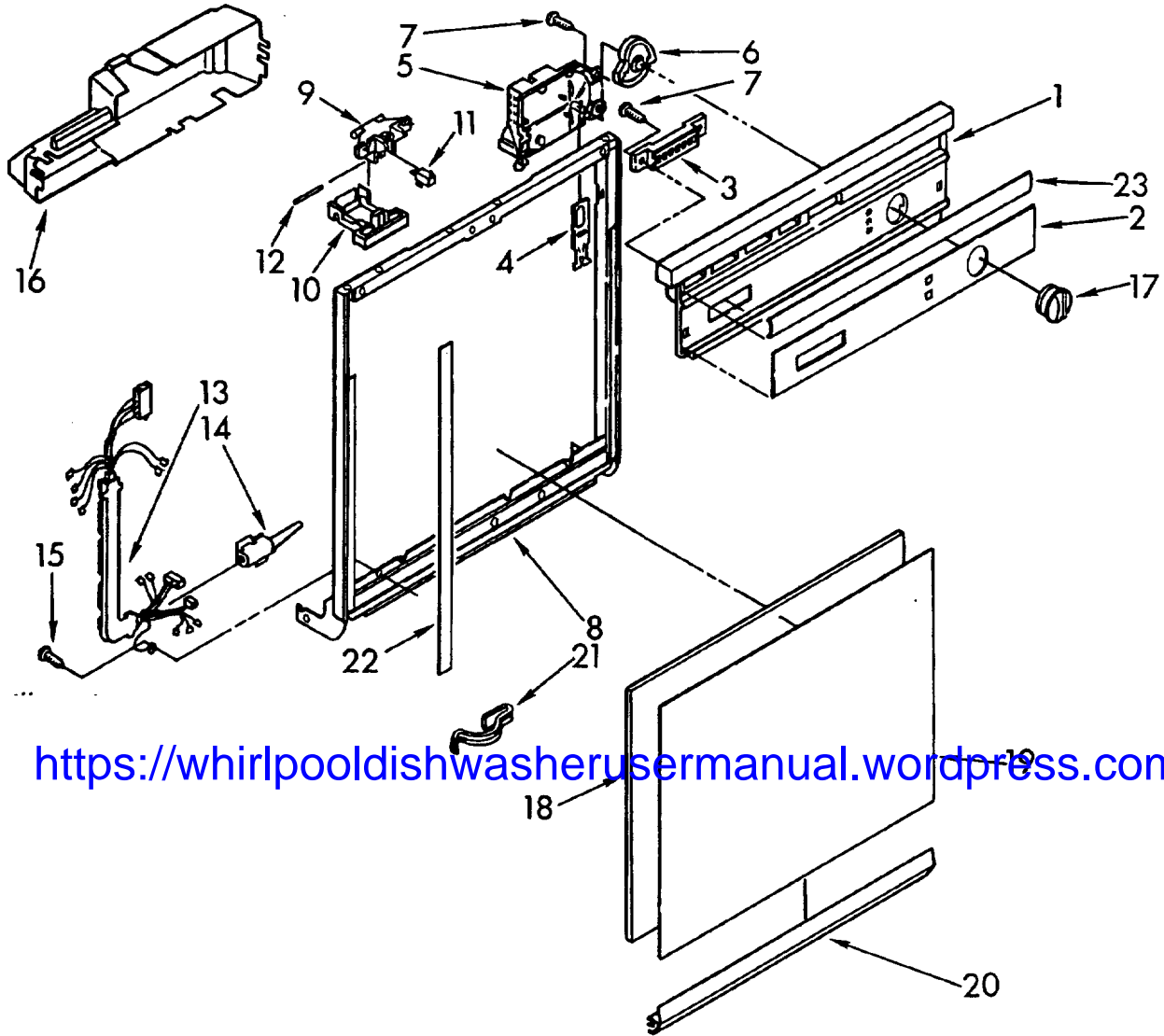
8-91 Litho in U.S.A.

Part No. 3370178

Get More Manual <http://www.pdflook.com/>

# FRAME AND CONSOLE PARTS

For Model: DU8500XX-1



<https://whirlpooldishwasherusermanual.wordpress.com/>

FOR ORDERING INFORMATION REFER TO PARTS PRICE LIST

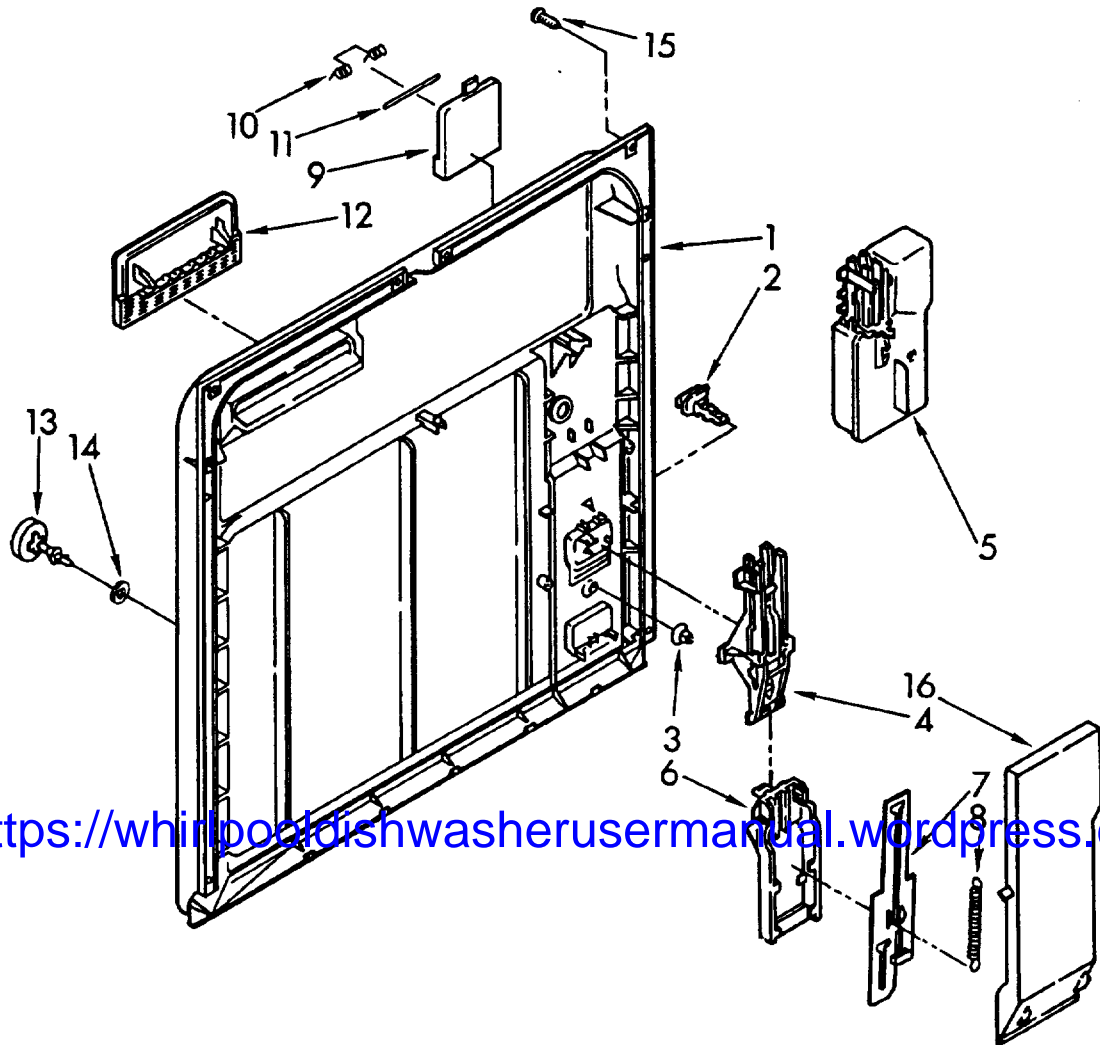
1	3370310	Console (Includes Item 2)
2	3370309	Insert, Console
3	3369565	Switch
4	3368997	Follower, Cam
5	3370249	Timer
6	3369415	Cam
7	304231	Screw, 8-18 x 1/2 (5)
8	3368900	Door Frame
9	3368953	Bolt, Latch
10	3368954	Lever, Latch
11	3369325	Switch, (2)
12	3368955	Pin, Switch (2)
13	3370252	Harness and Protector (Includes Item 14)
14	3368977	Elbow, Harness
15	9412221	Screw, 8-32 x 1/4
16	3369192	Cover Timer
17	3368998	Knob, Timer
18	3368979	Spacer, Corrugated
19	3369516	+Panel, Front (Almond/Black)
20	3370441	Retainer, Panel
21	98997	Clip, Harness
22	3369586	Trim (2)
23	3369598	Trim, Console

+Panel Parts List No. 675345.

<https://whirlpooldishwasherusermanual.wordpress.com/>

# INNER DOOR PARTS

For Model: DU8500XX-1



<https://whirlpooldishwasherusermanual.wordpress.com/>

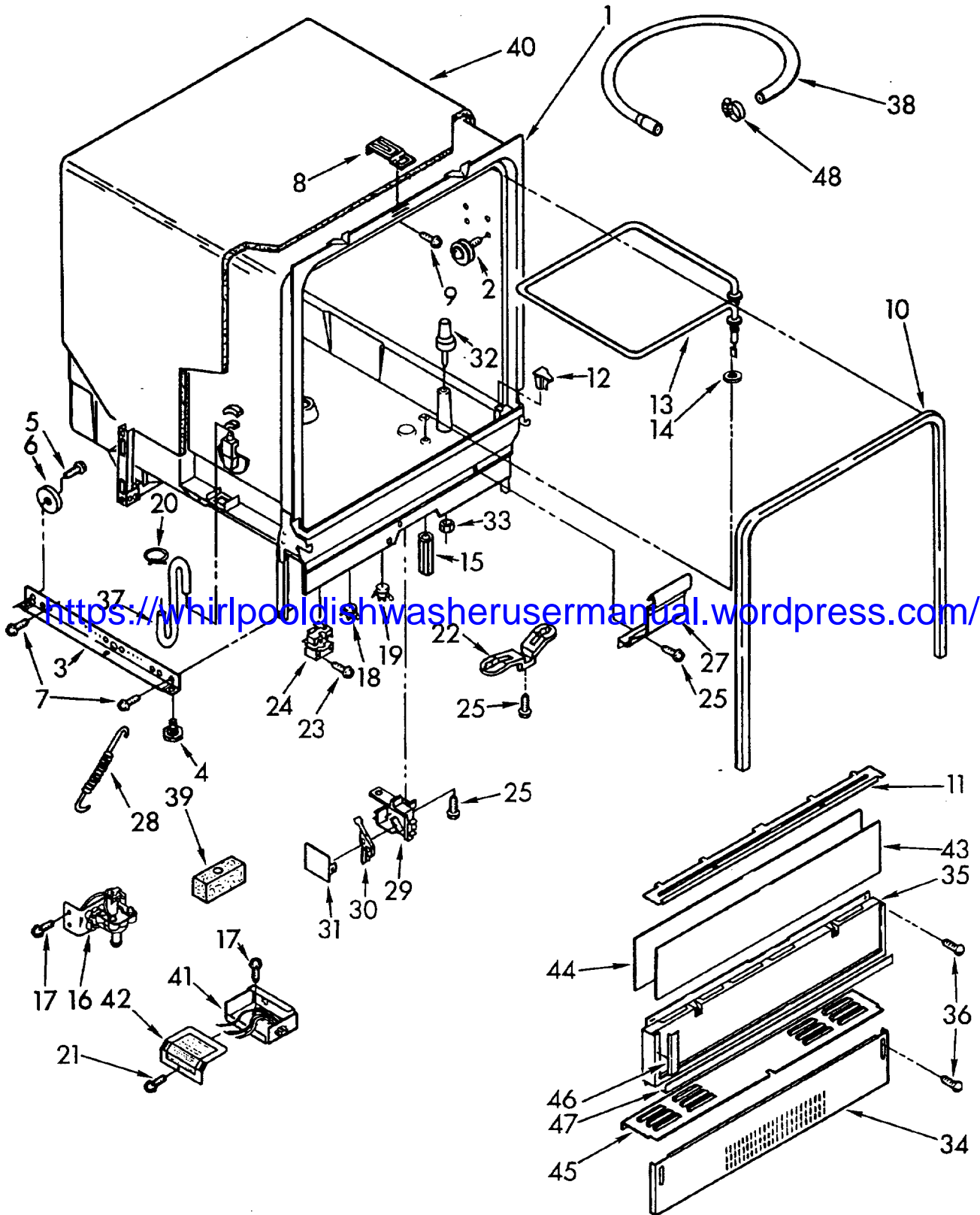
FOR ORDERING INFORMATION REFER TO PARTS PRICE LIST

1	3371480	Inner Door (Also Order Latch Door Kit 676413)
2	3369060	Latch, Detergent Dispenser
3	3369061	Snap, Detergent Dispenser
4	3369055	Actuator Assembly
5	3368967	Wet Agent, Dispenser
6	3369000	Draw Bar (Upper Dispenser)
7	3369602	Draw Bar (Lower Dispenser)
8	3368999	Spring (Draw Bar)
9	3368981	Lid Assembly
10	300106	Spring, Lid
11	300115	Pin (Lid Hinge)
12	3369603	Screen, Vent
13	3369512	Wet-Agent Cap Assembly
14	3369155	Seal (Wet-Cap)
15	3369051	Screw (8)
16	3371569	Cover, Drip

<https://whirlpooldishwasherusermanual.wordpress.com/>

# TUB ASSEMBLY PARTS

For Model: DU8500XX-1



<https://whirlpooldishwasherusermanual.wordpress.com/>

FOR ORDERING INFORMATION REFER TO PARTS PRICE LIST

1		Tub Assembly (Not Serviceable)
2	3369078	Tub, Wheel Assembly (8)
3	3368932	Runner (2)
4	302849	Leveler (2)
5	3370389	Screw, Shoulder (2)
6	302819	Wheel (2)
7	343641	Screw, 10-16 x 1/2 (4)
8	3368965	Plate, Latch
9	3368919	Screw, 8-32
10	3368994	Gasket
11	3369511	Retainer, Access Panel
12	3369052	Deflector (2)
13	3369416	Heater
14	717273	Washer, Rubber (2)
15	3369073	Nut (2) (Heater Terminal)
16	3369868	Water Valve
17	304392	Screw, 8-18 x 1/2
18	3369777	Thermostat, Hi-Limit
19	3370782	Thermostat
20	301958	Clamp
21	359625	Screw
22	3370555	Bracket, Thermostat
23	3370225	Screw
24	3369447	Relay
25	304231	Screw, 8-18 x 1/2
27	3368983	Shield, Harness
28	3370939	Spring & Bearing Assembly (2)
29	3369048	Housing, Float Switch
30	3369067	Switch, Float
31	3369049	Cover, Switch Housing
32	3371282	Float
33	717488	Nut
34	3369831	Toe Panel
35	3369193	Panel, Access
36	302868	Screw, 8-18 x 1/2 (4)
37	3369414	Hose, Inlet
38	304626	Drain Hose
39	3369317	Diverter
40	3369329	Sound Shield
41	3369332	Terminal Block & Plug Assembly
42	3369357	Cover Assembly, Terminal Box
43		+Access Panel
	3369527	(Almond/Black)
44	3369526	Spacer, Corrugated
45	3369531	Extension
46	3369587	Trim, Side (2)
47	3369588	Trim, Bottom
48	3367052	Hose Clamp

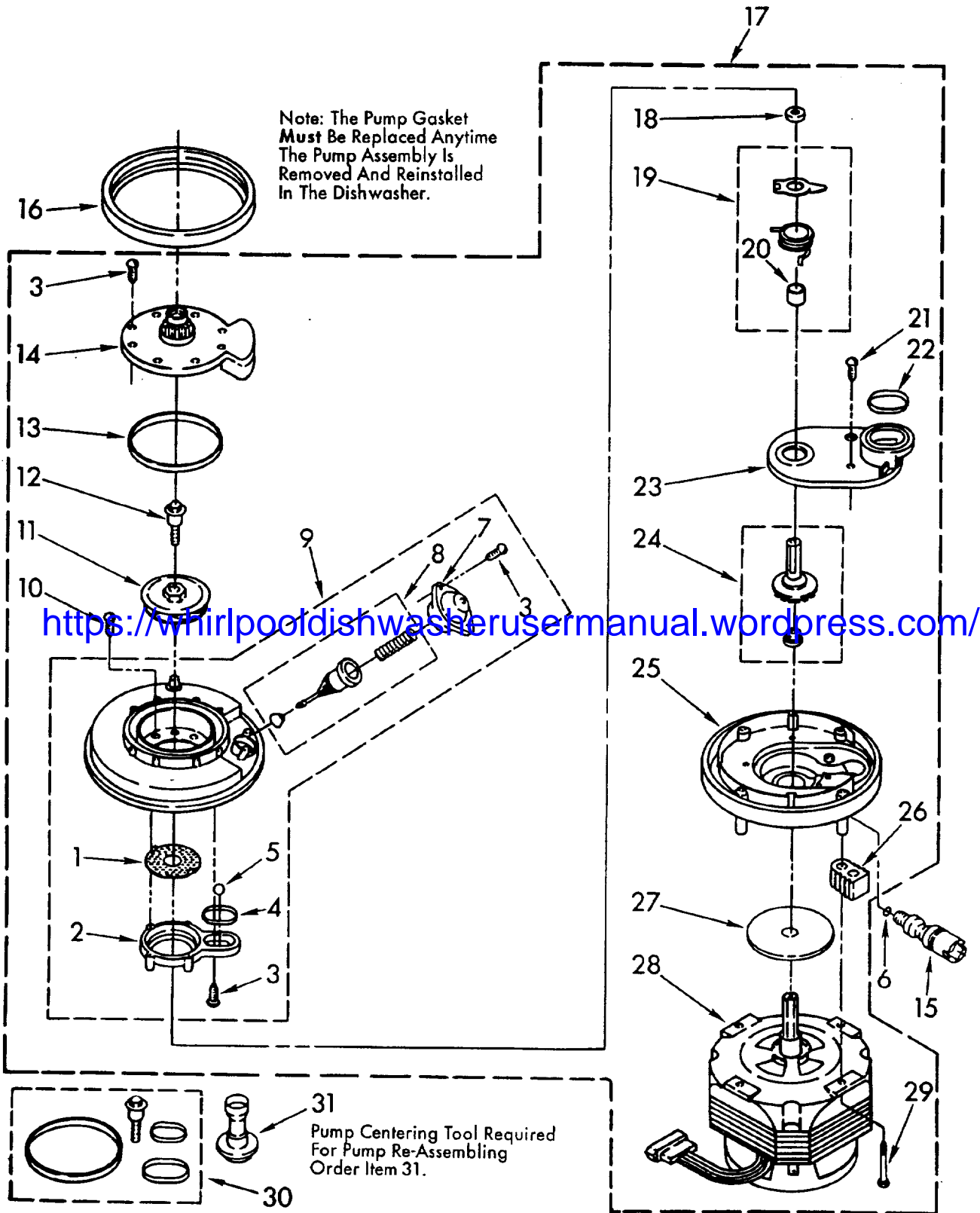
+Replacement Panel Parts List No. 675345.

<https://whirlpooldishwasherusermanual.wordpress.com/>

# PUMP AND MOTOR PARTS

For Model: DU8500XX-1

Note: The Pump Gasket Must Be Replaced Anytime The Pump Assembly Is Removed And Reinstalled In The Dishwasher.



<https://whirlpooldishwasherusermanual.wordpress.com/>

FOR ORDERING INFORMATION REFER TO PARTS PRICE LIST

3370178



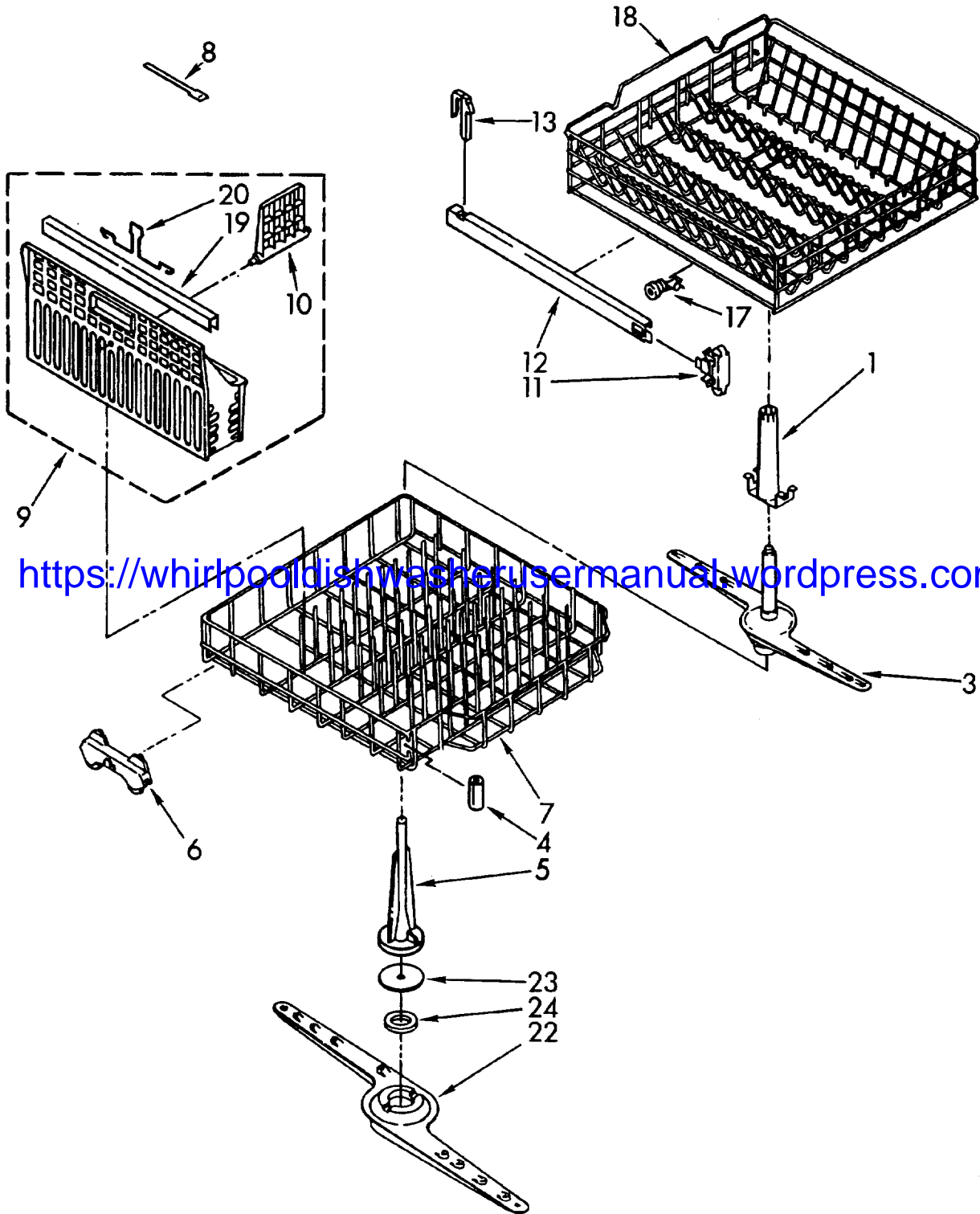
1	302720	Plate, Perforated (Includes Item 5) (Also Order Item 30) See Note A.
2	3367173	Base, Inlet (Includes Items 1 & 5) (Also Order Item 30) See Note A.
3	303573	Screw, 8-18 x 5/8
4	302710	Seal, Inlet Base
5	302709	Ball, Check
6	95080	"O" Ring
7	302721	Cover, Valve
8	302738	Valve Stem Kit (Includes Items 12, 13 & 22) See Note A.
9	303883	Separator Assembly (Includes Items 12, 13 & 22) See Note A.
10	302717	Screw, 8-18 x 1-5/8 (4)
11	303510	Impeller, Wash (Includes Items 12 & 13)
12	3371152	Screw & Seal, 10-32 x 3/4
13	302711	Seal, Pump Outlet
14	3369478	Outlet, Pump (Includes Item 13)
15	3369482	Check Valve (Includes Item 6)
16	717000	Gasket, Pump
17	3369475	Pump & Motor Assembly (Includes Item 16)
18	302707	Bushing, Grind
19	302718	Chopper Kit (Also Order Item 30) See Note A.
20	302705	Sleeve, Drain Impeller
21	718258	Screw, 8-18 x 5/8
22	302704	Seal, Drain Cover
23	302723	Cover, Drain (Also Order Item 30) See Note A.
24	303539	Impeller, Drain Kit (Also Order Item 30) See Note A.
25	3367204	Base, Pump (Includes Item 24) (Also Order Item 30) See Note A.
26	3367197	Support, Pump Mounting (4)
27	3368270	Slinger (See Note A.)
28	3369472	Motor (Includes Item 27) (Also Order Item 30)
29	3369331	Screw (4)
30	675505	Pump Seal Kit (Includes Items 4, 12, 13 & 22)
31	303918	Tool, Pump Centering

NOTE A: For Pump Re-Assembling-Order Item 31. The Pump Gasket Must Be Replaced Anytime The Pump Assembly Is Removed And Reinstalled In The Dishwasher.

<https://whirlpooldishwasherusermanual.wordpress.com/>

# DISHRACK PARTS

For Model: DU8500XX-1



<https://whirlpooldishwasherusermanual.wordpress.com/>

FOR ORDERING INFORMATION REFER TO PARTS PRICE LIST

1	304212	Support, Arm
3	304204	Spray Arm, Upper
4	304490	Bumper (2)
5	304170	Tower, Pressure
6	3369509	Wheel & Transport Assembly (4)
7	3368516	Dishrack, Lower (Includes Items 4 & 6)
8	3370075	Clip, Strap
9	3369492	Silverware Basket Assembly
10	3369489	Cover, Basket
11	300845	End Cap (Front or Rear)
12	3369071	Track
13	3369046	Stop, Track (2)
17	300995	Wheel and Axle Assembly (4)
18	3369083	Dishrack, Upper
19	717528	Trim, Basket
20	300086	Handle, Basket
22	3369347	Sprayarm, Lower
23	3367910	Cap, Nozzle
24	719576	Bearing, Nozzle

OPTIONAL PARTS NOT INCLUDED

PAINT, TOUCH UP (1/2 oz.)

72017	White
72107	Almond
72112	Black

PAINT PRESSURIZED SPRAY (13 oz.)

350956	Almond
285006	Superior Black
206922	Primer (White)
350941	Leveler (Thinner)

PAINT, TOUCH UP (1 qt.)

978883	Almond (Uncut)
799340	Black (Uncut)

DISHRACK REPAIR

675476	Vinyl Touch-Up (Blue)
675506	Tine Tip Repair Kit (Blue-Enough For Two Complete Dishracks)

ACCESSORY PARTS

	Side Panel Kits:
4317925	White
4317926	Avocado
4317927	Gold
4317929	Almond
4317930	Toast
4317931	Platinum

LITERATURE PARTS

LIT3369671	Instructions, Installation
LIT3367007	Instructions, Installation (Supplement) (Locating Your Water Supply)
LIT3370388	Energy Guide
LIT3369104	Guide, Use & Care
LIT3370466	Wiring Diagram

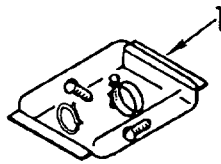
<https://whirlpooldishwasherusermanual.wordpress.com/>

<https://whirlpooldishwasherusermanual.wordpress.com/>

---

---

## MISCELLANEOUS PARTS



FOR ORDERING INFORMATION REFER TO PARTS PRICE LIST

1 3369816 Miscellaneous Parts Bag (Includes 2 Screws & 2 Hose Clamps)

<https://whirlpooldishwasherusermanual.wordpress.com/>

Get More Manual <http://www.pdflook.com/>