

Service Manual

Dishwasher

ADP 905/3 WH

Model Version	ADP 905/3 WH 8542 905 01410	Page
	Technical data	2 - 3
	Spare part list	4 - 5
	Exploded view	6 - 7
	https://whirlpooldishwasherusermanual.wordpress.com/	8
	Program diagram	9
	Text/Legend	10 - 16
	Family	Global A5

This documentation is only intended for qualified technicians who are aware of the respective safety regulations.

Date: 12.07.1999

Document-No.: 4812 718 14342

Subject to modification

Technical data

Dimension

Height	85.0	cm
Width	59.5	cm
Depth	59.2	cm
Weight	58.3	kg

Electronic boards

Service boards	see spare part list
Serial boards	
UB	4619 720 80271
CB	096911
Dataset	096901

Succession of programs

Programs	see program diagram
Succession	1a-3b-4b-5a-6a

Program information

Start indicator

Volume (normal program)

Water	Volume	Level
Regeneration	0.3 l	15 mm
Back rinse 3x	1.0 l	68 mm
Prewash	4.8 l	122 mm
Main wash	4.5 l	121 mm
Intermediate rinse 1	4.0 l	120 mm
Intermediate rinse 2	4.0 l	120 mm
Clear rinse	4.0 l	120 mm
Safety / overflow	8.5 l	141 mm

Measuring the level

Remove the coarse sieve, put in a measuring meter into the sump, measure the height of the water level.

Detergent max.

Pre-wash	10	cm ³
Main-wash	45	cm ³
Rinse aid	125	cm ³
6 Dosage steps	1 - 6	ml

Water softener

Saltcontainer	2	kg
Resin container	900	cm ³
Regeneration dosage	300	cm ³

Water pressure

Inlet pressure	0.3-10	bar
Spray pump pressure	0.4	bar

Rotations

Spray pump motor	2800	RPM
Drain pump motor	3000	RPM
Spray arm lower	20 - 40	RPM
Spray arm upper	25 - 35	RPM
Ceiling rotor	45 - 65	RPM

Flow rates / Inlet volume

Flow meter (at 0.3 bar = quantity 1.1 l/min)	208	Imp/l
Spray pump	~ 70	l/min
Drain pump	16	l/min
Pump height max.	1.1	m
Inlet valve	4.5	l/min
Spray arm lower	33	l/min
Sprayarm upper	27	l/min
Ceiling rotor	10	l/min

Electrical data

Base data

Voltage	220/230	V
Frequency	50	Hz
Total power	2.0-2.2	kW
Fuse	10	A

Motor

Spray pump motor

Voltage	220/230	V
Power consumption	160	W
HI	81	Ω
HA	44	Ω
Capacitor	4	μ F

<https://whirlpooldishwasherusermanual.wordpress.com/>

Technical data

Drain pump motor

Voltage	220/240	V
Power consumption	30	W
Resistance	146	Ω

Heating

1 Element system

Voltage	220/230	V
Power consumption	1.87/2.04	kW
Resistance	24.5	Ω
Heating speed	~ 2.0	$^{\circ}\text{C}/\text{min}$
Temperature on surface	~ 115	$^{\circ}\text{C}$
Safety thermostat self reset	85	$^{\circ}\text{C}$

Water valves

Single valve at inlet hose

Voltage	220/240	V
Frequency	50/60	Hz
Resistance	3.76	k Ω

Regenerating valve

Voltage	220/240	V
Frequency	50/60	Hz
Resistance	3.13	k Ω

Coil of dispenser

Voltage	220/240	V
Frequency	50/60	Hz
Resistance	1.5	k Ω

Reedcontact

flow meter

NTC

15 $^{\circ}\text{C}$	75	k Ω
20 $^{\circ}\text{C}$	62	k Ω
30 $^{\circ}\text{C}$	43	k Ω
40 $^{\circ}\text{C}$	28	k Ω
50 $^{\circ}\text{C}$	19	k Ω
60 $^{\circ}\text{C}$	13	k Ω
70 $^{\circ}\text{C}$	9	k Ω
80 $^{\circ}\text{C}$	6	k Ω
85 $^{\circ}\text{C}$	5	k Ω

Regeneration

Volume	300	cm^3
Position 0 after wash cycles	10	
water hardness	0-60	$^{\circ}\text{dh}$
	0-10.7	mmol/l
	0-107	$^{\circ}\text{Fh}$
Salt consumption for regeneration	77	g
Number of cycles with 2 kg salt	26	

<https://whirlpooledishwasherusermanual.wordpress.com/>

Spare part list

Model ADP 905/3 WH
Service No. 854290501410
Version 854290501410

Pos. No.	12NC Code	Description
003 0	4812 440 19382	Traverse
004 0	4812 440 18952	Drip tray assy
004 1	4812 401 18402	Holder
011 0	4812 505 18357	Foot short
022 0	4812 440 18951	Side panel left
022 1	4812 440 18949	Side panel right
022 2	4812 440 18953	Spacer
024 0	4812 440 19463	Panel, rear
030 0	4812 310 18428	Table top AMH4000WH
034 0	4812 404 78237	Spacer
034 1	4812 404 78242	Fastener table top
040 1	4812 417 18774	Hinge left
040 2	4812 417 18773	Hinge right
040 3	4812 417 18784	Protector f.door (set)
044 0	4812 492 38358	Spring f.door
044 1	4812 492 38364	Spring f.cap
047 0	4812 404 48591	Brake f.door
047 1	4812 401 18397	Band,brake
047 2	4812 404 68023	Hook
053 0	4812 440 88887	Plinth WH
103 0	4812 440 18978	Door outer
120 0	4812 440 19456	Door,inner
120 1	4812 440 18969	Batten
130 0	4812 401 18361	Lift cap
131 0	4812 401 18416	Hook lock
191 0	4812 466 68564	Gasket door
192 0	4812 466 68467	Gasket, door lower
241 0	4812 458 18913	Basket upper/straight
241 1	4812 458 18324	Holder cups right white
241 3	4812 528 88068	Wheel,basket upper (set)
241 8	4812 466 68553	Spacer cap set
241 9	4812 528 88075	Wheel,basket basket upper
242 0	4812 458 18919	Basket lower cpl.
242 1	4812 528 88069	Wheel,basket lower
242 4	4812 466 48059	Fixation
243 0	4812 458 18272	Basket cutlery
261 0	4819 462 38271	Rail telescope, inner
261 1	4819 404 48819	Cap rail
261 2	4812 462 78995	Cap rail ahead
263 0	4819 520 18013	Ball cage cpl.
263 1	4812 520 48001	Ball Niro 8 D
301 0	4812 453 79538	Control panel WH
303 1	4812 460 38055	Plate,handle WH
305 0	4812 440 18964	Batten WH
322 0	4812 453 70357	Insert panel WH
331 0	4812 413 58926	Knob program cpl. WH
332 0	4812 410 28564	Push button cap WH
400 0	4812 361 58126	Motor + spraypump cpl.
405 0	4812 360 18371	Spray pump
405 1	4819 515 28158	Gasket
420 0	4812 121 18132	Capacitor
421 0	4812 121 18161	Interf.filter
430 0	4812 360 18357	Pump,draining
430 1	4812 466 68506	Shaft seal
450 0	4812 259 28684	Heating element

Pos. No.	12NC Code	Description
480 0	4812 321 28386	Cable harness set
480 1	4812 321 28371	Cable
480 3	4812 401 18418	Protector f.wiring
490 0	4819 321 18136	Cable,mains 2m
490 1	4812 321 28367	Strain relief
521 0	4812 214 78253	Control board (CB)
571 0	4812 281 28379	Valve inlet
575 0	4812 281 28361	Regen.valve
583 0	4812 271 28355	Switch diaphragm
620 0	4812 218 38056	User board (UB)
633 0	4812 271 38355	Microswitch door
680 0	4812 418 68154	Combidosage
680 1	4812 466 68495	Gasket
681 1	4812 466 68497	Gasket
681 2	4812 440 18975	Flap
682 0	4812 466 68496	Gasket
691 0	4812 282 68012	Feeler NTC
701 0	4812 530 28081	Hose, inlet 3/8Z cpl. 5m
701 0	4812 530 28082	Hose, inlet 3/8Z cpl. 3m
701 0	4819 530 28928	Hose, inlet
701 1	4812 310 18302	Yoke
701 2	4822 480 50159	Sieve inlet
710 0	4812 418 68128	Monoblock
710 0	4819 520 38536	Threaded ring
710 3	4819 466 69562	Gasket set
714 0	4812 462 79643	Threaded cap
714 2	4812 440 18963	Cabinet non-return flap
716 0	4812 418 68147	Reg.dosage
716 1	4812 466 68475	Gasket
716 2	4812 462 78994	Cover
721 1	4812 360 68061	Spray arm lower. cpl.
721 2	4812 466 68491	Gasket 25x2,3B
721 3	4812 466 68558	Gasket 30x3,0
721 4	4812 440 19455	Flange
722 0	4812 360 68044	Spray arm upper
722 2	4812 360 68056	Hub upper straight cpl.
723 0	4812 360 68049	Spray arm ceiling
723 1	4812 466 68483	Gasket
723 2	4812 404 48597	Clip,fix spray arm
723 3	4812 505 18362	Screwed joint
726 0	4812 530 28786	Tube
726 1	4812 530 28787	Tube
726 2	4812 505 18358	Nut
726 3	4812 466 68512	Gasket
726 4	4812 462 79633	Centering
743 1	4812 530 28102	Hose, inlet
751 0	4812 418 18205	Water collector
751 1	4812 418 18203	Water guide
751 2	4812 440 19454	Fastener frame
755 0	4812 530 28849	Bend
755 2	4812 530 48148	Tray,leak
761 0	4812 480 58082	Sieve fine
761 2	4812 418 18204	Cover sieve
762 0	4812 480 58084	Microfilter
763 0	4812 480 58083	Sieve coarse

<https://whirlpooldishwasherusermanual.wordpress.com/>

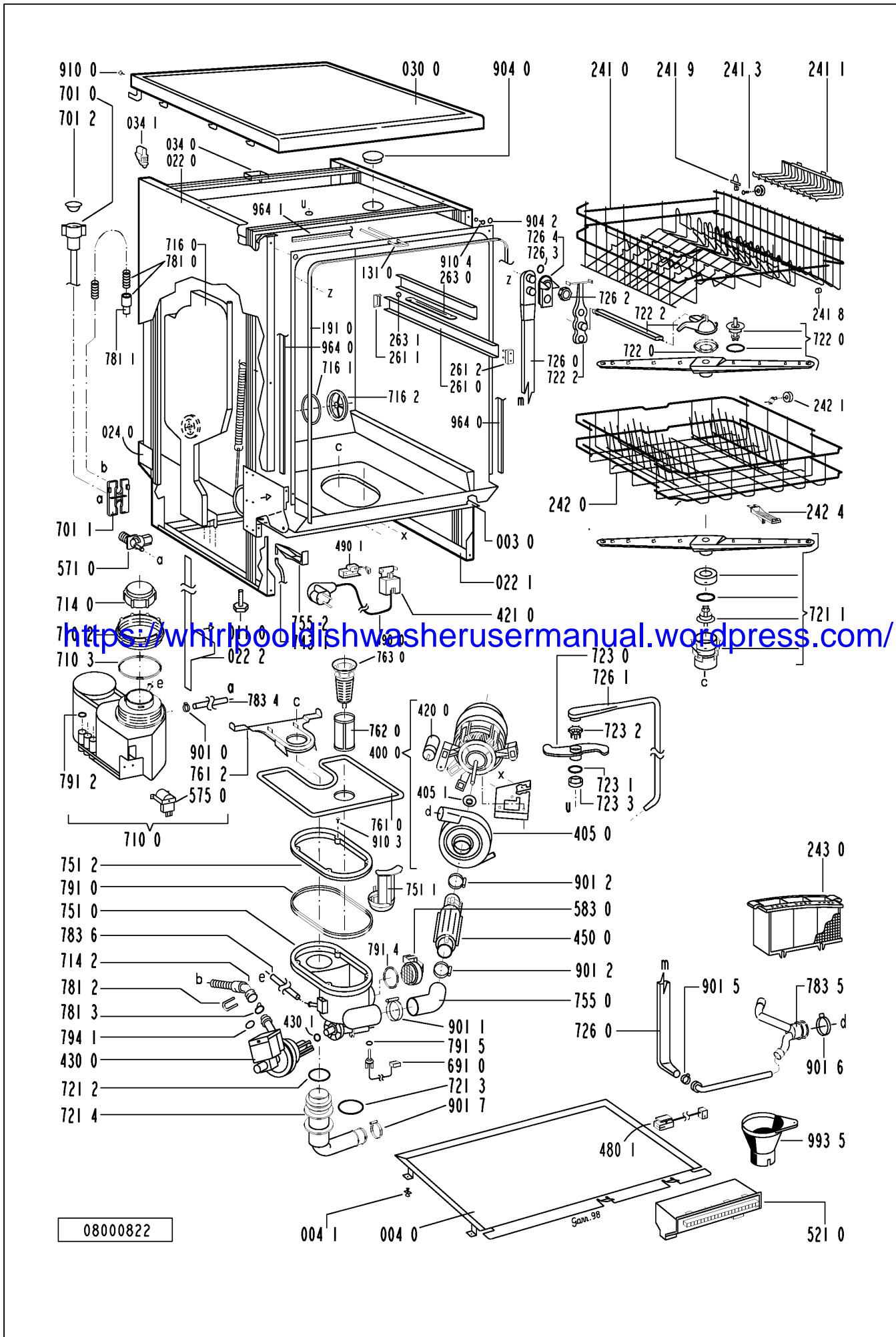
Spare part list

Model **ADP 905/3 WH**
Service No. **854290501410**
Version **854290501410**

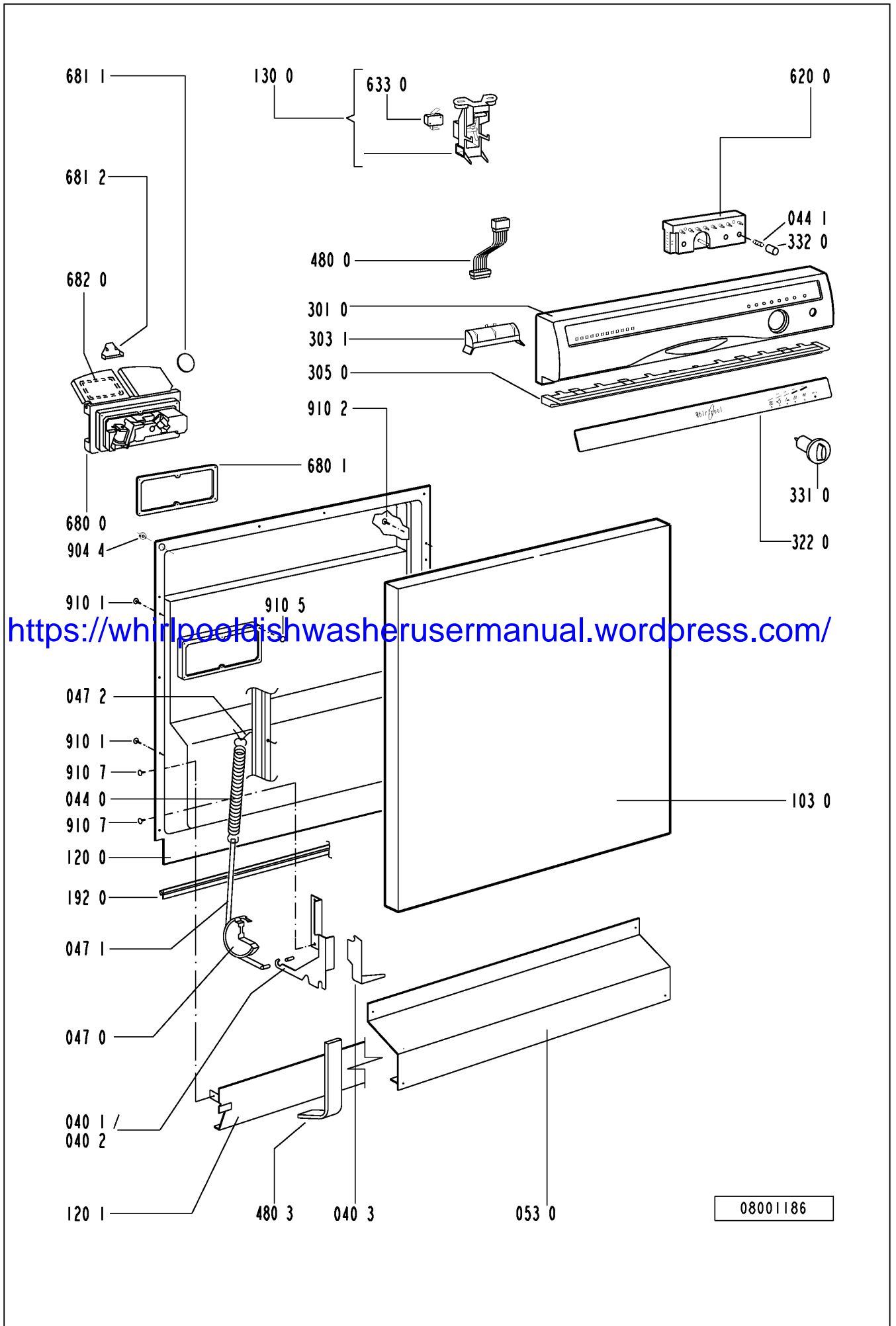
Pos. No.	12NC Code	Description
781 0	4812 530 28737	Hose,draining
781 1	4819 530 28286	Sleeve hose
781 2	4819 492 68405	Clip f.non-return valve
781 3	4812 281 28364	Flap non-return
783 4	4812 530 28793	Hose 10x3x230
783 5	4812 530 78028	Distributor
783 6	4812 530 28796	Hose 10x3x180+10
791 0	4812 532 68067	Gasket
791 2	4812 530 58093	Gasket
791 4	4812 466 68503	Gasket
791 5	4812 466 68504	Gasket
794 1	4819 530 58032	Gasket 20x2,5
901 0	4822 401 10492	Clamp,hose 14-24 mm
901 1	4812 401 18424	Strap 050,0
901 2	4812 401 18157	Strap 32-50/9 C61
901 5	4812 401 48573	Strap 028,6
901 6	4812 401 48574	Strap 038,1
901 7	4812 401 18427	Strap 031,6
904 0	4812 462 78998	Threaded cap
904 2	4812 462 79635	Cover WH 3,5x5
904 4	4812 462 79659	Threaded cap
910 0	4812 502 18384	Screw 4x35-H
910 1	4812 502 18394	Screw 3,5x14-H
910 2	4812 502 18362	Screw 4x12-H
910 3	4812 502 18389	Screw NIRO A2
910 4	4812 502 18386	Screw 3,5x8-TORX T15
910 5	4812 502 18393	Screw 3,5x9-1 Tx15
910 7	4812 502 18397	Screw INOX A2 M 5X12
964 0	4812 466 68536	Gasket housing ri/le
964 1	4812 466 68469	Gasket housing upper
993 5	4822 532 80216	Funnel salt

<https://whirlpooldishwasherusermanual.wordpress.com/>

Exploded view



Exploded view



<https://whirlpooldishwasherusermanual.wordpress.com/>

Text/Legend

Test procedure for SERVICE-TEST-PROGRAM DOLPHIN dishwashers (Global)

1. Start the passive test program.
If there is a defective component indicated, open the plinth and take out the control board (CB).
2. Check the component.
Unplug the indicated component from the control board (CB) and check it by using an Ohm-measure equipment.
If the ohms are not correct, check the cables to the component and check the component itself.
3. Check the control board (CB).
4. Only if there is no reaction when pushing a push button or turning the rotary switch, then test the control board (CB) and the user board (UB) with the test points.
5. At the end of the repair start the appliance and delete the stored failure. After this, start the test program again to see that the failure is solved.

More details: s. following pages.

Attention:

First unplug the appliance, then set the connection clamps of the volt measurement on the test points.

Danger for short circuit. Short circuits on components can damage the control board (CB).

If electronic boards are wet, do not switch the appliance on.

For check the appliance, plug in the appliance.

Failures, which occurred during the program will store and indicate by flashing start LED.

Then start the test program without erase the failure before. The failure will indicate.

To erase the failures, you must push the start button longer than 3 seconds.

The failures

F1	NTC break
F2	water leakage
F9	continuous water inlet

are checked and indicated immediately after start of the program.

Therefore these failures have to be solved before starting the active test program.

When these failures are not solved, the active test program does not run.

The electrical components get their voltage via triac from the control board (CB). For testing the volume of voltage the volt meter must be parallel to the component (the component must be connected). If the component is disconnected, then the outcomed voltage from the control board (CB) is reduced.

For appliances with no program indicator or 7-segment-display you can use for testing a display board (DB) in addition. More details : see chapter active test program.

After starting a program this program is locked. That means neither by unplugging/switching of the appliance nor by setting an other program, the first setted program can be changed. Changing of the program is only possible by pushing the start button again for longer than 3 sec.. The programs end with draining out. After that start again.

On appliances with separate On-Off button the last used program is stored. That means if the customer wants to use the same program again he has only to press the On-button and the Start-button.

Attention: On new service control boards the first service test program is without back rinsing. Dangerous for overfilling the appliance, in case the appliance is not empty. By running the test program a second time the back rinsing will be carried out as usual.

4619 720 87721-1

Text/Legend

Handling of failures

F0 Sensor failure

Will not indicate for the customer. The programs will finish even there is a failure. The Failure is indicated only in the active test program after 10 – 30 second's. The active test program will finish as well, even there is a failure.

If the failure in a sensor program appear, the machine will always choose the highest consumption (best cleaning result).

- None or wrong output from the sensor
- Unlogical or unreal measurement results

Reason:

- Defective electronic of the sensor
- Optoelectronic parts in the sensor defect
- Case of the sensor is very dirty
- Connection between sensor and control board (CB) interrupted

Attention: The failure code will not store.

F1. NTC break

Temperature out of the normal value (-3°C till +85°C)

- temperature inside higher than +85°C
- NTC defective
- dishwasher is frozen, less than -3°C

Fill in the appliance a cup of warm water to warm it up before you start it, if the temperature is less than -3°C.

<https://whirlpooldishwasherusermanual.wordpress.com/>

F2. water leakage

- water is in the drip tray

floaters (LS6) switches off the WW1 and the electronic switches on the DPM till WI reports empty

F3. heating system defective

Indicated after app. 11 minutes (1. check after 5 min., after that follow 2 more checks, before the failure is indicate)

- too less heating speed (lower 1,5 °C in 3 min.)
- heating (HEW) defective
- relays (RE2) on control board (CB) is defective
- NTC - resistance fluctuation
- water indicator (WI) defective (is switched off) - spray pump (SPM) is not working

F4. draining failure

drain pump starts and after 4 min. the WI detects not empty

- drain pump (DPM) defective
- siphon closed
- control board (CB) defective
- water indicator (WI) defective (is switched on)

F5. spray arm blocked (leads not to stop the appliance)

SAB sensor sends less than 10 impulses/min.

- spray arm blocked or not fixed well
- spray pump (SPM) does not work well
- SAB sensor defective

Text/Legend

- F6. water tap closed (only indicated after start of the active test program)
water valve (WV1) is switched on but flow meter (FM) sends no impulses (less than 10 imp. in 10 sec.) and the water indicator (WI) is off (empty)
- water tap closed
 - water inlet hose blocked
 - water inlet valve (WV1) defective
 - flow meter (FM) defective (leads to FM failure)
- F7. flow meter failure
water inlet valve (WV1) is switched on and the water indicator (WI) is on (full).
- flow meter (FM) sends to less impulses (less than 10 imp. in 10 sec.)
 - water tap closed
 - water inlet hose blocked
 - water inlet valve (WV1) defective
 - flow meter (FM) defective
- F8. water level failure
failure monitored during spray pump is on and the water indicator switches back more than 20 times in 2 min.
- water indicator defective (should switch on after app. 1 litre)
 - sieve blocked
 - water strongly foams
 - pot has turned off and is filled with spray water
 - no stable spray pump (SPM) working

<https://whirlpooledishwasherusermanual.wordpress.com/>

- F9. continuous water inlet
water inlet valve (WV1) is switched off, water indicator (WI) on, flow meter (FM) sends impulses (more than 10 imp. in 10 sec.)
- water inlet valve (WV1) mechanically not closed
 - triac (CB) permanently switched on. (short circuit)

reaction: interval 30 sec. draining / 20 sec. tracing

For salt, rinse aid, zone wash valve, sieve valve failure see active test program.

Text/Legend

Appliances FAILURE AND ALARM DISPLAYING CODES

Alarm / Failure	Indication for customer		Indication whitin test program after a failure has occurred	
Sensor-break F 0	<p>○ ○ ○ ○ PS1 PS2 PS3 PS4</p> <p>START ○</p>		<p>● ● ○ ○ START PS1 PS2 PS3 PS4 ○ (only indicated after start of the active t.p.)</p>	
NTC-break F 1	<p>○ ○ ○ ○ PS1 PS2 PS3 PS4</p> <p>START ●</p>		<p>● ○ ○ ○ START PS1 PS2 PS3 PS4 ○</p>	
Water Leakage F 2	<p>○ ○ ○ ○ PS1 PS2 PS3 PS4</p> <p>START ●</p>		<p>○ ● ○ ○ START PS1 PS2 PS3 PS4 ○</p>	
Heating System Failure F 3	<p>○ ○ ○ ○ PS1 PS2 PS3 PS4</p> <p>START ●</p>		<p>○ ○ ● ○ START PS1 PS2 PS3 PS4 ○</p>	
Draining Failure F 4	<p>○ ○ ○ ○ PS1 PS2 PS3 PS4</p> <p>START ●</p>		<p>○ ○ ○ ● START PS1 PS2 PS3 PS4 ○</p>	
Spray Arm Blocked F 5	<p>○ ○ ○ ○ PS1 PS2 PS3 PS4</p> <p>START ○</p>		<p>● ○ ○ ● START PS1 PS2 PS3 PS4 ○</p>	
Water Tap Closed F 6	<p>○ ○ ○ ○ PS1 PS2 PS3 PS4</p> <p>START ●</p>		<p>○ ● ○ ● START PS1 PS2 PS3 PS4 ○ (only indicated after start of the active t.p. Start LED flashed in passive t.p.)</p>	
Flow Meter Failure F 7	<p>○ ○ ○ ○ PS1 PS2 PS3 PS4</p> <p>START ●</p>		<p>○ ○ ● ● START PS1 PS2 PS3 PS4 ○</p>	
Water Level Failure F 8	<p>○ ○ ○ ○ PS1 PS2 PS3 PS4</p> <p>START ●</p>		<p>○ ● ● ○ START PS1 PS2 PS3 PS4 ○</p>	
Water Continuously On F 9	<p>○ ○ ○ ○ PS1 PS2 PS3 PS4</p> <p>START ●</p>		<p>● ○ ● ○ START PS1 PS2 PS3 PS4 ○</p>	

● Led Flashing PS 1 till PS 4 : Program sequence LED
○ Led OFF

<https://whirlpooledishwasherusermanual.wordpress.com/>

Text/Legend

With the passive test program, you can check all LED's and buttons. If there is no failure the passive test program runs normal.

Attention:

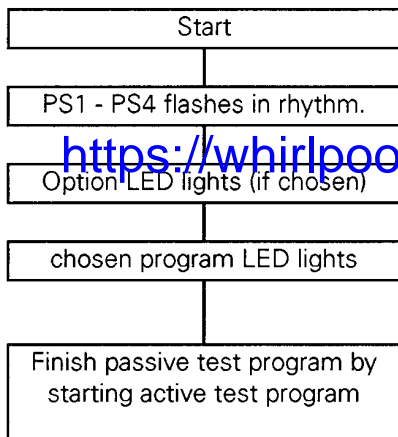
If you can't start the active test program (Start button don't flash), normally there is one of the following failures detected: F1, F2 or F9

When these failures are not solved before, the active test program will not run. After solving the failure you must "sign" (erase) the failure.

Start procedure

Passive test program

The passive test program shows the stored failure. If there is no failure the passive test program runs normal.



1. Switch off the appliance
2. Push start button and hold it.
3. Choose position 1 of the turning knob turning right side (program 1).
4. Finish pushing the start button when the start LED flashes
5. Failure indication.
6. Repair the failure
7. Solve the failure by pushing the start button for longer than 3 sec.
8. Start the passive test program again. If there is no failure detected, test all LED's and after that choose program 1.
9. Finish the passive test program by pushing the start button for shorter than 3 sec.

<https://whirlpooldishwasherusermanual.wordpress.com/>

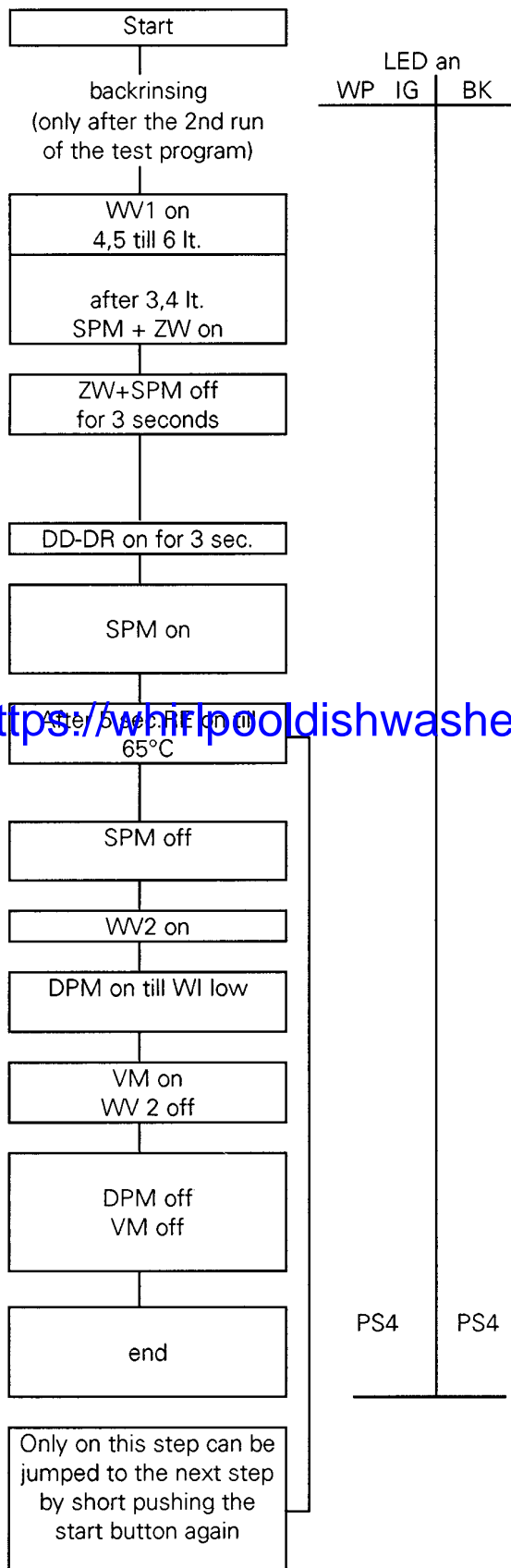
Active test program starts (see next page)

Program sequence LED

PS1	1. LED	prewash	
PS2	2. LED	mainwash	
		intermediate rinse	
		final rinse	
PS3	3. LED	drying (regeneration)	
PS4	4. LED	end	goes off if any button is pushed
			goes off after 30 min progr. is finished

Text/Legend

Active test program



Test procedure

1. Passive test program OK?
no: repair failure, after that solve the failure and start the passive test program again.
yes: push start button shorter than 3 second's
2. Active test program starts.

Remarks

The active test program runs to the failure position and stops or, if there is no failure, to the end.

To leave the test program push the start button for longer than 3 second's.

Too less salt or too less rinse aid leads not to the stop of the appliance.

The function of the zone wash valve can only be checked optically.
A defect leads to a not stable SPM pressure.

Appliances which have no program sequence or no 7-segment-display can't exactly show the failure. On these appliances the failure can only be found by starting the test program and following this by using the program chart or by connecting an additional kit 4819 310 39782 on the user board (UB) (connector DISPL).

When the failure position is reached the flashing start LED goes out.

Attention:

If you can't start the active test program (Start button don't flash), normally there is one of the following failures detected: F1, F2 or F9

When these failures are not solved before, the active test program will not run. After solving the failure you must "sign" (erase) the failure.

Remarks:

ZW on: zone wash valve on = no water on the upper sprayarm.
ZW off: zone wash valve off = water on the upper sprayarm.

<https://whirlpooldishwasherusermanual.wordpress.com/>

Text/Legend

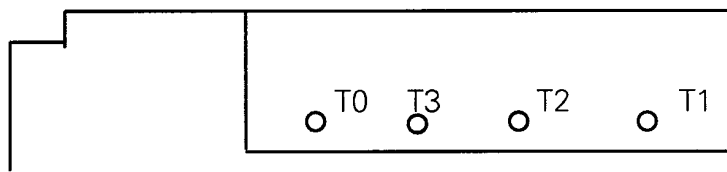
Testpoints on the control board (CB)

With these test points the function of the buttons and the rotary switch can be checked.
 The test points are in the service window on the control board.
 For the test fine clamps, cables and volt meter with high input resistance are necessary.

Before setting the clamps on the test points, switch off the appliance.

Testpoints: T0: common line T2: analogue value
 T1: analogue value T3: digital signal

Service window



Check: T0 to T1

Communication between control board (CB) and display board (DB) measured over user board (UB)

pushed button	voltage	from	to
no button pushed	ca. - 5.24 V DC	Control board (CB)	Display board (DB)
ZW (1 or 2 LED)	ca. - 3.43 V DC	Display board (DB)	Control board (CB)
Delay	ca. - 2.88 V DC	Display board (DB)	Control board (CB)
ZW + Delay start	ca. - 2.88 V DC	Display board (DB)	Control board (CB)

Check: T0 to T2

Communication between Control board (CB), User board (UB)

	voltage	from	to
Programplace 1	ca. - 1.32 V DC	User board (UB)	Control board (CB)
Programplace 2	ca. - 1.75 V DC	User board (UB)	Control board (CB)
Programplace 3	ca. - 2.20 V DC	User board (UB)	Control board (CB)
Programplace 4	ca. - 2.90 V DC	User board (UB)	Control board (CB)
Programplace 5	ca. - 3.36 V DC	User board (UB)	Control board (CB)
Programplace 6	ca. - 3.80 V DC	User board (UB)	Control board (CB)
Programplace 7	ca. - 4.27 V DC	User board (UB)	Control board (CB)
start button	ca. - 0.00 V DC	User board (UB)	Control board (CB)

Check: T0 to T3:

Communication between Control board (CB) and User board (UB). Check of the 'Start' function
 Select any program.

before start (start LED off)	- 5.24 V DC
after start (start LED on)	- 3.87 V DC

How exact the data are, depends on the measure equipment.