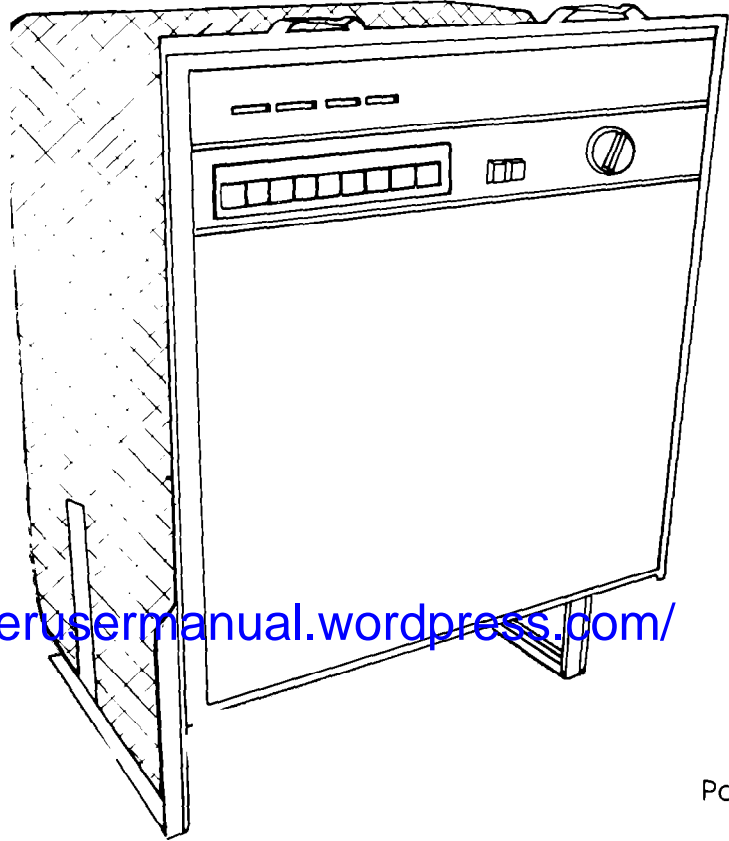


Installation Instructions



<https://whirlpooledishwasherusermanual.wordpress.com/>

Part No. 3369089

Undercounter Dishwasher

IMPORTANT:

Installer: Leave Installation Instructions with the homeowner.

Homeowner: Keep Installation Instructions for future reference.

Save Installation Instructions for local electrical inspector's use.



Get More Manual <http://www.pdflook.com/>

3-93

Before you start...

Proper installation is your responsibility. Make sure you have everything necessary for correct installation. It is the responsibility of the customer to contact a qualified installer to assure that the plumbing and electrical installations are adequate and meet all national and local codes and ordinances.

Proper electrical, drain and water supply lines must be available or must be installed as specified within shaded area. See Electrical, Water and Drain requirements. Plumbing and wiring should not cross in front of motor or dishwasher legs.

Check location where dishwasher will be installed. The location should provide:

- Easy access to water, electricity and drainage lines.
- Convenient loading — the best position is left or right of kitchen sink.
- Opening that is square for proper dishwasher operation and appearance.
- Cabinet front that is perpendicular to floor.
- Protection so that water inlet valve and drain cannot freeze.
- 1/4" minimum clearance between motor and flooring to prevent the motor from overheating.

IMPORTANT: Observe all governing codes and ordinances.

Electrical ground is required. See Electrical requirements.

Do Not install dishwasher over carpeted flooring.

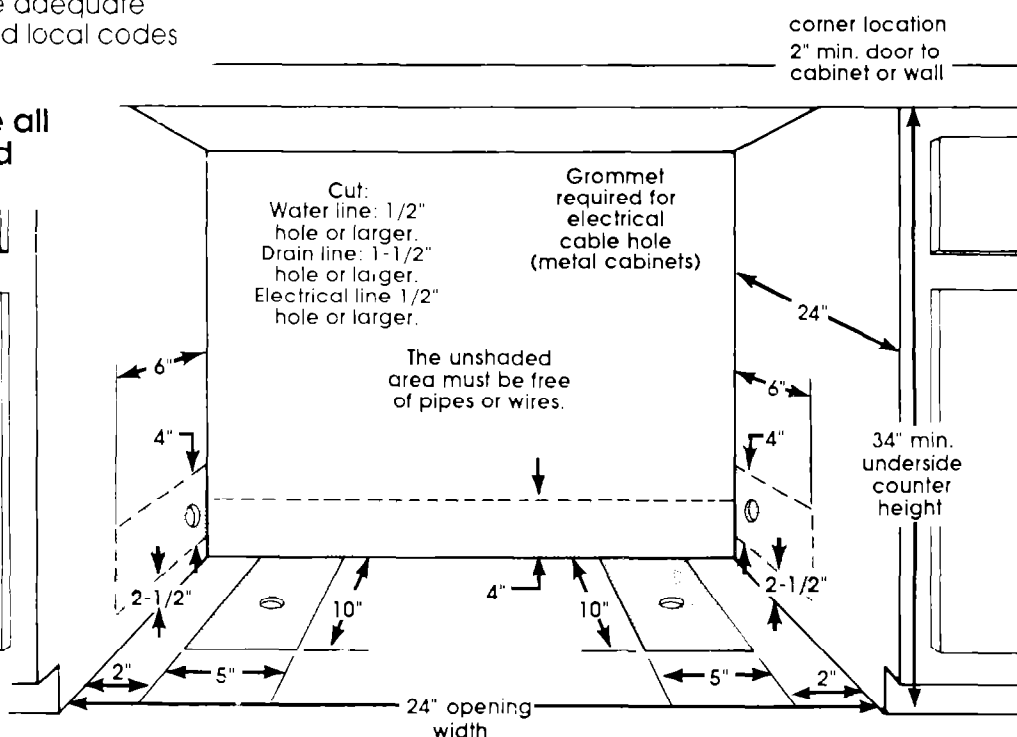


Figure 1

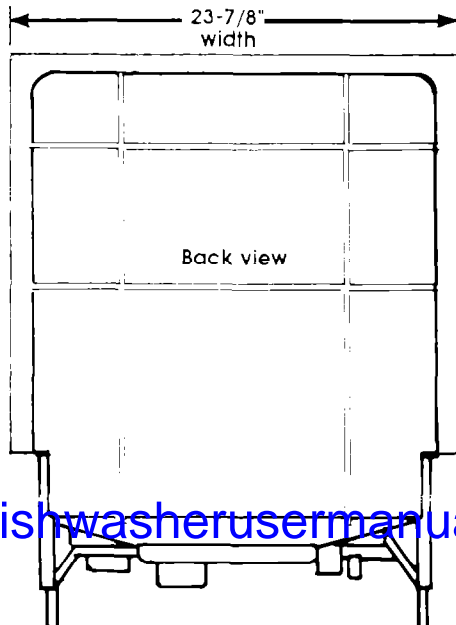
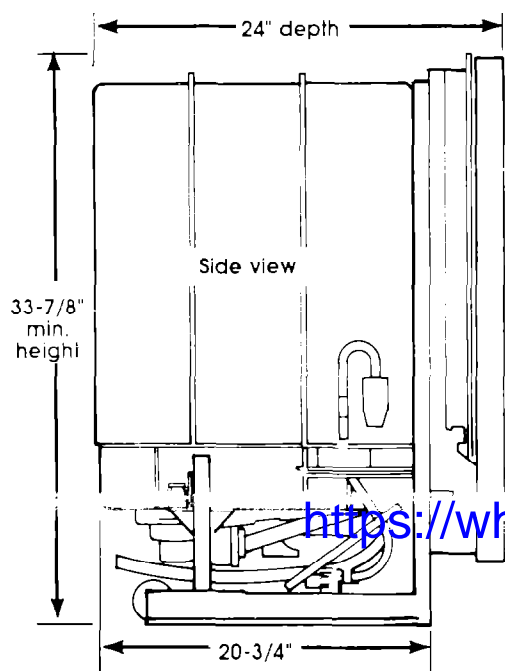


Figure 2

WARNING

Electrical Shock Hazard

- Electrical wiring and components must not contact any plumbing material or drain hose.
- Cabinet opening must completely enclose sides, top and back of dishwasher.

Failure to do so may result in personal injury from exposed wiring.

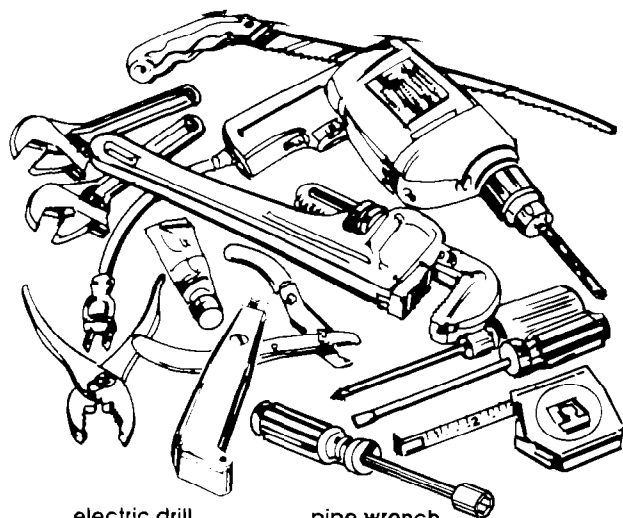
CAUTION

Personal Injury/Product Damage

Avoid opening dishwasher door before dishwasher is installed. Dishwasher, before it is installed, may tip over when door is opened resulting in personal injury or product damage.

Read and follow the "Electrical requirements", "Water requirements" and "Drain requirements" connection sections before installing dishwasher.

Tools needed for installation:



electric drill
Phillips screwdriver
2 adjustable wrenches
flat-blade screwdriver
measuring tape
pliers

pipe wrench
keyhole saw
tubing cutter (not shown)
pipe-joint compound
wire stripper and utility knife
5/16 and 1/4 inch nut driver or hex socket

Parts supplied for installation:

- 2, drain hose clamps
- 2, No. 10 x 1/2" Phillips-head screws
- drain hose

Electrical requirements

WARNING

Electrical Shock Hazard

- Electrical ground is required on this appliance. Check with a qualified electrician if you are in doubt as to whether the appliance is properly grounded. Improper connection of the equipment-grounding conductor can result in electrical shock.

- Disconnect power to the junction box. Failure to do so could result in serious injury or death.

- This appliance must be connected to a grounded, metallic permanent wiring system, or a grounding connector should be connected to the grounding terminal or wire lead on the appliance.

Failure to do so could result in serious injury or death.

- Do Not have a fuse in the neutral or grounding circuit. This could result in electrical shock.

- Do Not use an extension cord with this appliance. Such use may result in a fire, electrical shock or other personal injury.

A 120-volt, 60 Hz, AC only, 15- or 20-ampere, fused, electrical supply is required. Time-delay fuse or circuit breaker is recommended. It is recommended that a separate circuit serving only this appliance be provided.

It is the personal responsibility and obligation of the customer to contact a qualified electrician to assure that the electrical installation is adequate and in conformance with the National Electrical Code, ANSI/NFPA 70— latest edition, and all local codes and ordinances.

The dishwasher must be connected with copper wire only.

Wiring methods

Pick one method to follow depending upon your dishwasher and local codes.

A. Direct wire method (cable connecting dishwasher to a junction box)

Recommended grounding method

1. Disconnect the power supply.

2. Run flexible, armored or non-metallic sheathed, copper cable (with grounding wire) from the fused disconnect, circuit breaker or junction box through the 1/2" or larger cabinet hole to the dishwasher location. The cable must extend 24" from the back wall.

The hole cut through a wood cabinet should be sanded until smooth.

The hole cut through a metal cabinet must be covered with a grommet (Part No. 302797), available from your authorized dealer.

A U.L.-listed strain relief or conduit connector must be installed at each end of the power supply cable (at the dishwasher and at the junction box). Wire sizes (COPPER WIRE ONLY) must conform with the rating of the dishwasher.

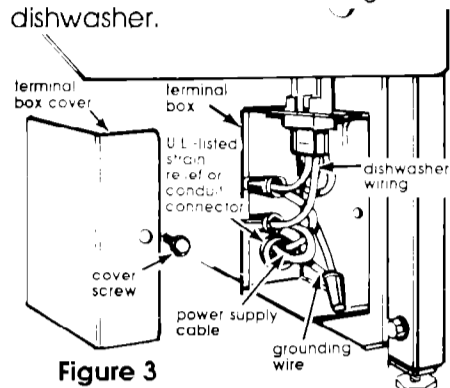


Figure 3

3. Remove the dishwasher terminal box cover. Connect the white and black wires of the power supply cable to the white and black leads in the terminal box with twist-on wire connectors. (See Figure 3.)

4. Connect the power supply grounding wire to the green, grounding wire inside the terminal box with a twist-on wire connector. (See Figure 3.)

5. Replace terminal box cover.

Temporary grounding method

THIS, HOWEVER IS NOT RECOMMENDED.

If the recommended grounding method is impossible — connect a separate, grounding wire (No. 16 minimum) to the green, grounding screw inside the terminal box. Connect the other end of the separate grounding wire to a grounded, metal cold water pipe. (See Figure 5.)

Do not connect to electrical supply until dishwasher is permanently grounded.

Do Not ground to a gas supply pipe or hot water pipe.

* Grounded, cold water pipe must have metal continuity to electrical ground and not be interrupted by plastic, rubber or other insulating connectors such as hoses, fittings, washers or gaskets (including water meter or pump). Any insulating electrical connector should be jumped, as shown, with a length of No.-4 copper wire securely clamped to bare metal at both ends. (See Figure 5.)

B. Power supply cord method (connecting dishwasher to outlet)

Local codes may permit the use of a U.L.-listed, flexible, three-conductor, power supply cord terminated with a three-prong, grounding-type plug.

It is recommended that cord kit, Part No. 4317824, available from your Whirlpool dealer or parts supplier, be used. If the cord kit is not available locally, the flexible cord used must be a U.L.-listed, three-conductor, 16-gauge cord that meets the National Electrical Code ANSI/NFPA 70-latest edition, and all local codes and ordinances. The length of the cord must not exceed six feet. It must be routed so that it does not touch the dishwasher motor or the lower portion of the dishwasher tub. A strain relief (Part No. 596556), available from your dealer or parts supplier, or a similar part must be used to secure the flexible cord to the dishwasher frame or terminal box. The flexible cord must be plugged into a mating, three-prong, grounding-type wall receptacle

grounded in accordance with the National Electrical Code ANSI/NFPA 70-latest edition, and all local codes and ordinances. Follow the instructions packaged with the flexible cord.

Dishwashers equipped with a power supply cord have a 3-prong, grounding plug. It must be plugged into a mating, 3-prong, grounding-type receptacle (See electrical requirements, Panel A). If a mating wall receptacle is not available, it is the personal responsibility and obligation of the customer to have a properly grounded, 3-prong, wall receptacle installed by a qualified electrician. (See Figure 4.)

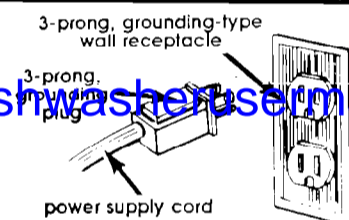
Recommended grounding method

! WARNING

Electrical Shock Hazard

- Electrical ground is required on this appliance.
- Improper connection of the equipment-grounding conductor can result in a risk of electrical shock.
- Check with a qualified electrician if you are in doubt as to whether the appliance is properly grounded. Do Not modify or remove the power supply cord plug. If plug does not fit the outlet, have a proper outlet installed by a qualified electrician.
- Do Not use an extension cord with this appliance.
- Do Not have a fuse in the neutral.

Failure to follow these instructions could result in a fire, electrical shock or other personal injury.



1. Have a 3-prong, grounding-type, wall receptacle available or installed by a qualified electrician on the rear wall of one cabinet next to dishwasher opening. (See Figure 1, Panel A.)

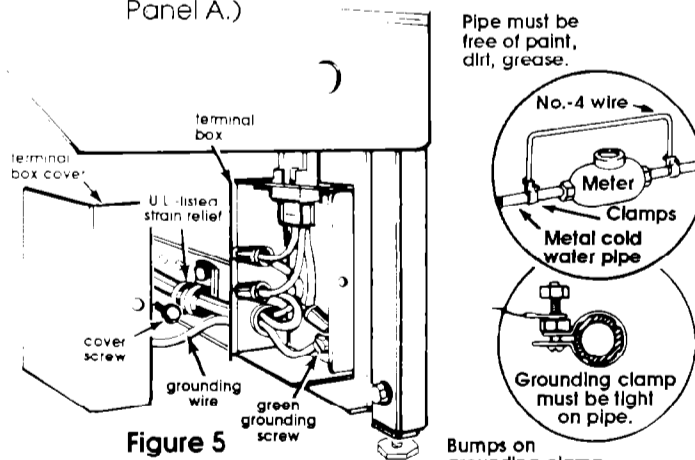


Figure 5

2. For added personal safety, use a separate grounding wire. Remove terminal box cover. Feed grounding wire through the hole in the terminal box where the power cord enters. Connect the separate grounding wire to the green, grounding screw inside the terminal box. Connect the other end of the separate grounding wire to a grounded, metal cold water pipe*. (See Figure 5.)

3. Replace terminal box cover.

Do Not connect to electrical supply until appliance is permanently grounded.

Do Not ground to a gas supply pipe or hot water pipe.

*Grounded, cold water pipe must have metal continuity to electrical ground and not be interrupted by plastic, rubber or other electrical insulating connectors such as hoses, fittings, washers or gaskets (including water meter or pump). Any electrical insulating connector should be jumped, as shown, with a length of No.-4 wire securely clamped to bare metal at both ends.

Temporary grounding method

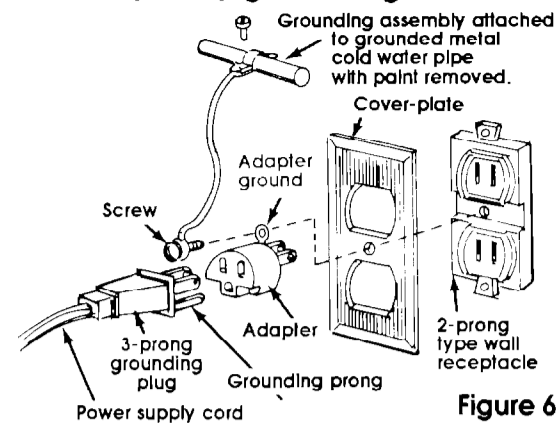


Figure 6

If changing and properly grounding the electrical supply is impossible, and where local codes permit (consult your electrical inspector), a temporary adapter may be plugged into the 2-prong, wall receptacle to mate with the 3-prong, power supply cord. (See Figure 6.)

If this is done, you **must** connect a separate, copper grounding wire from the adapter ground to the grounded, metal cold water pipe*. (See Figure 6.)

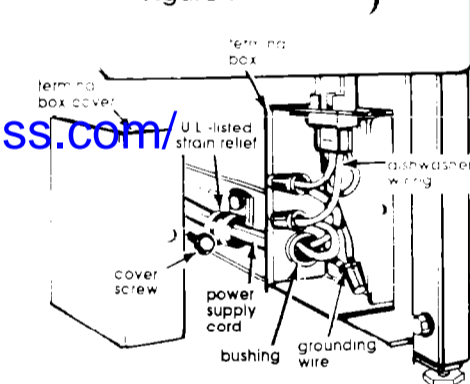
Do Not connect to electrical supply until appliance is permanently grounded.

Do Not ground to a gas supply pipe or hot water pipe.

IF POWER CORD CANNOT BE USED...

When local codes do not permit use of a power cord with an undercounter dishwasher, the power cord must be removed and dishwasher wired directly. IF THE POWER SUPPLY CORD IS REMOVED, THE DISHWASHER MUST BE CONNECTED WITH COPPER WIRE ONLY.

Figure 7



1. Disconnect the power supply.
2. Remove terminal box cover.
3. Remove twist-on wire connectors from the power cord wires and grounding wires. (See Figure 7.)
4. Disconnect the strain relief (behind the terminal box) from the dishwasher frame.
5. Remove power cord, strain relief and terminal box bushing.
6. See "A. Direct wire method," Panels A and B, for further instructions.

Water requirements

The hot water line to the dishwasher must provide between 15 -120 psi water pressure. **The hot water heater should be set to deliver 140°F water temperature to the dishwasher for best results.**

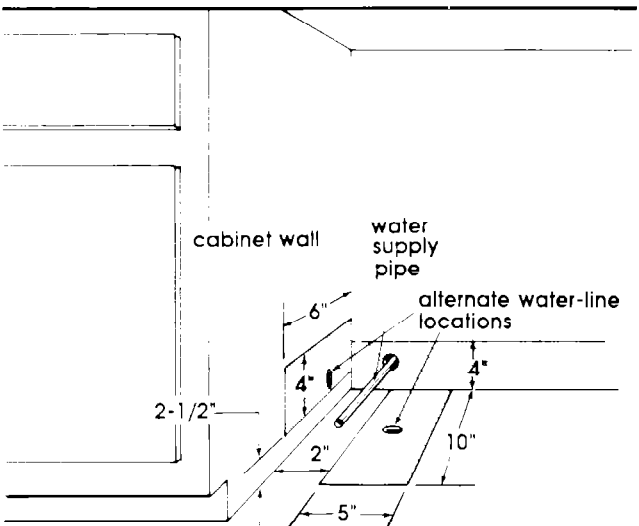
Use 3/8" O.D. copper tubing or 1/2" plastic tubing minimum inlet line. Dishwasher inlet valve has 3/8" N.P.T. internal pipe threads.

Drain requirements

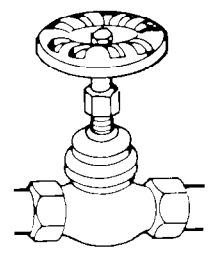
Drain line connection to house plumbing must be minimum 20" above floor to prevent siphoning.

Drain hose, supplied, meets AHAM DW-1 test standards. Cut 1-1/2" hole in cabinet wall for drain hose. Additional drain line (a minimum of 1/2" I.D. and no longer than 20 feet) can be used if needed.

Now start...
with dishwasher in kitchen.



1. Rough in water line to the dishwasher cabinet opening using one of the routing methods shown. Cut 1/2-inch hole or larger in cabinet wall for water line.

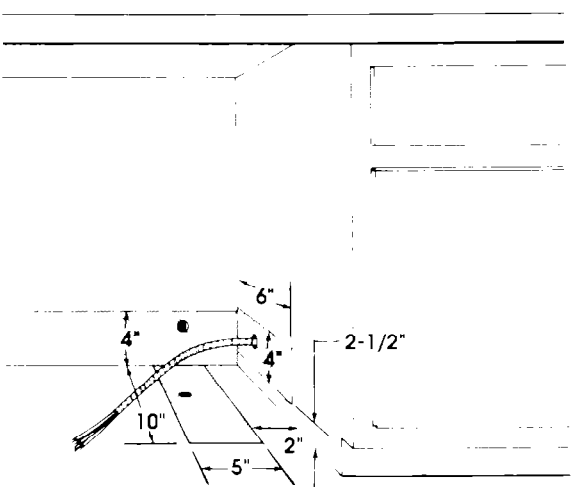


2. Install a shutoff valve in the water line where it can be easily used.

3. Flush water line into a bucket to get rid of any particles that may clog inlet valve. Turn shutoff valve to the "OFF" position.

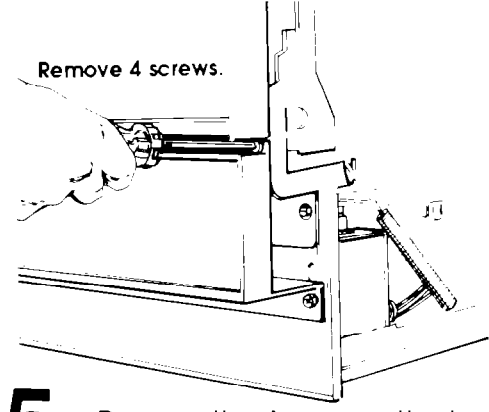
⚠ WARNING

Electrical Shock Hazard
Disconnect electrical power at the service panel (fuse box or circuit breaker box).
Failure to do so could result in serious injury or death.



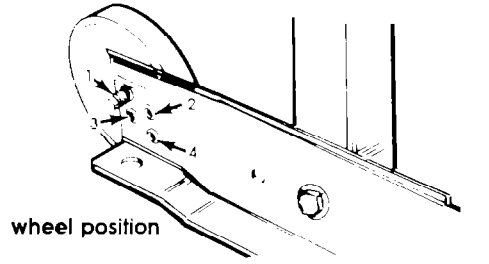
4. Cut a 1/2-inch or larger hole in the cabinet or floor for the electrical wiring to pass through. If this hole is cut in a wood cabinet, sand the hole until it is smooth. If the hole is cut in a metal cabinet, the hole **must** be covered by a grommet (Part No. 302797), available from your dealer or parts supplier.

Install a 3/4-inch U.L.-listed strain relief to connect the flexible armored or non-metallic sheathed, copper cable (with grounding wire) to the fused disconnect, circuit breaker or junction box. Run the cable through the hole in the cabinet opening. The cable should extend 24" from the back wall.



5. Remove the 4 screws attaching the access panel to the dishwasher using a 1/4" hex socket, nut driver or Phillips-head screwdriver. Remove the access panel and toe panel.

6. The dishwasher is shipped to be installed in 34" cabinet opening. Measure height of cabinet opening from underside of countertop to floor. Check chart for that height opening. Put the wheels in the required position. The dishwasher should be installed as level as possible from front to back.

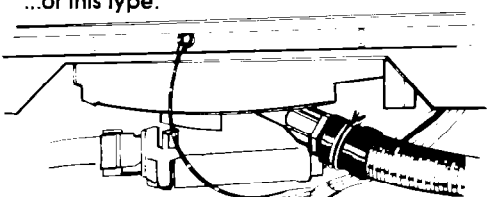
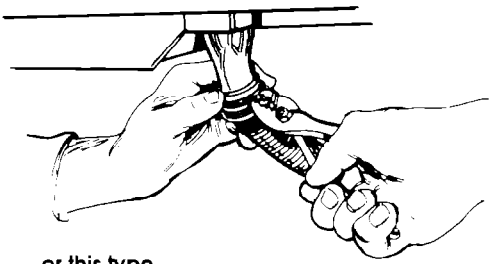


Min. Cutout Height	Wheel Position (See Illustration)	Number Of Turns To Preadjust Levelers
33-7/8"	1	0
34-1/16"	2	3
34-1/4"	3	6
34-7/16"	4	9

For additional height:
1. Add shims under the wheels.
2. Turn front levelers (each turn adds 1/16" in height).

Loosen and then turn front levelers the number of times indicated in the chart.

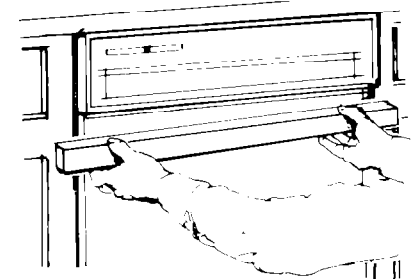
You may have this type drain connector...



7. Put spring-type drain hose clamp over connector. Push drain hose onto connector. Use pliers to open clamp and slide clamp over drain hose and connector. Check for good fit. If screw-type clamp is supplied instead of spring-type clamp, use a 5/16" nut driver to tighten securely.

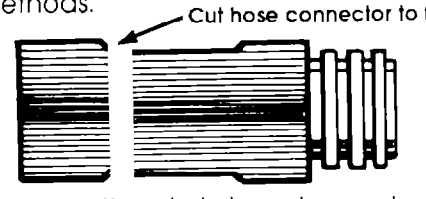
⚠ CAUTION

Floor Damage
Tilt dishwasher backwards on wheels when moving across floor. Failure to do so may cause damage to floor covering.



8. Latch the dishwasher door. Push dishwasher into place, sliding drain hose through hole cut in cabinet opening. Check that front leveling legs are firmly against the floor. Align dishwasher door with cabinet doors so that spacing is the same on both sides.

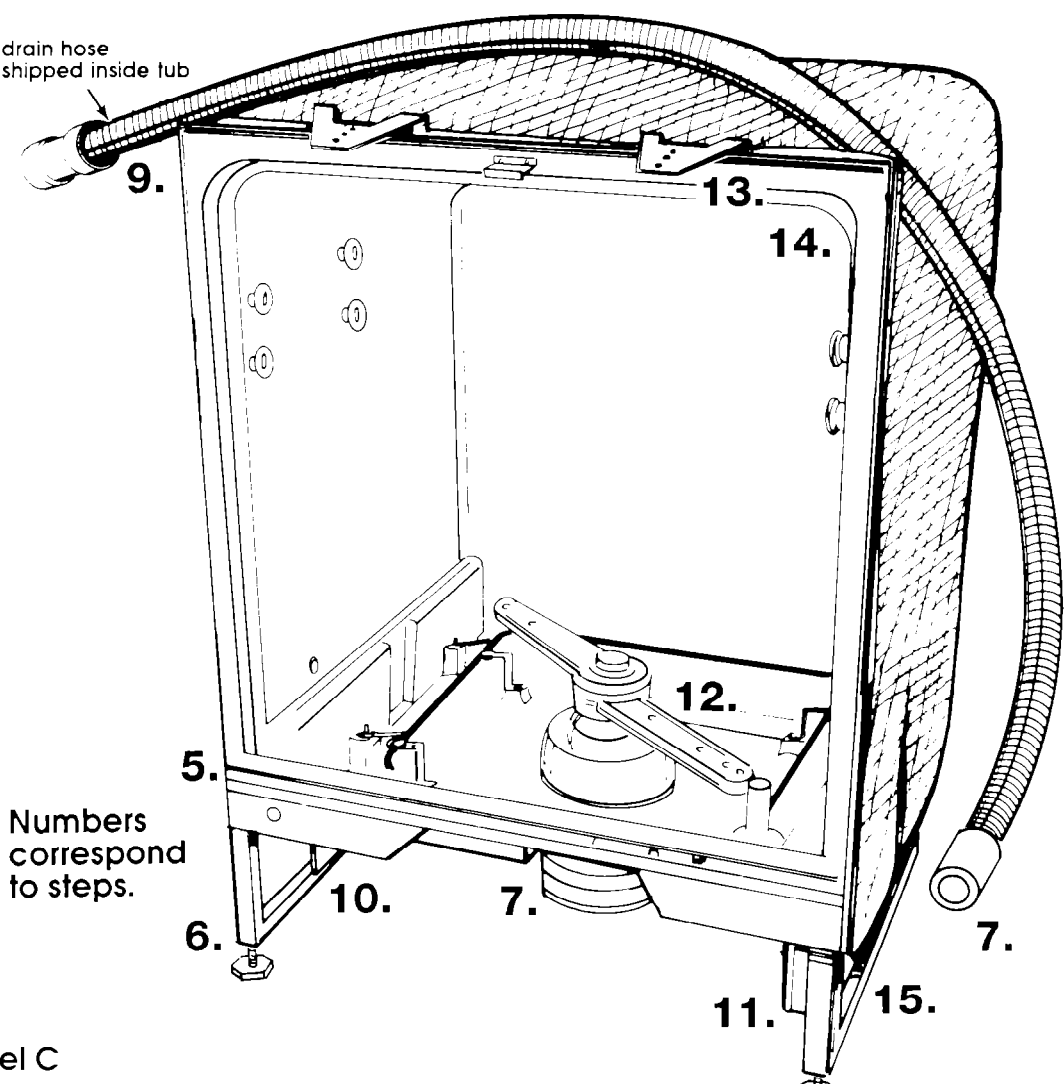
9. Connect drain hose to an air gap or waste tee using one of the recommended or alternate methods.



If connecting drain hose to an air gap or waste tee, cut end of drain hose as shown. Secure drain hose with screw-type hose clamp provided.

Do Not cut drain hose when connecting to a 7/8" disposer connector. **Knock out plug from disposer inlet.** Secure drain hose with hose clamp provided.

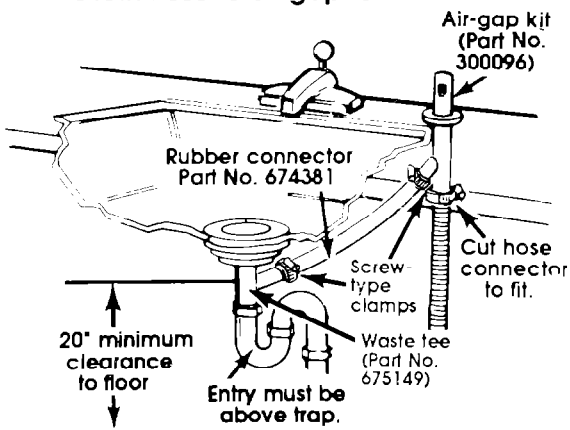
DO NOT cut ribbed section to shorten drain hose.



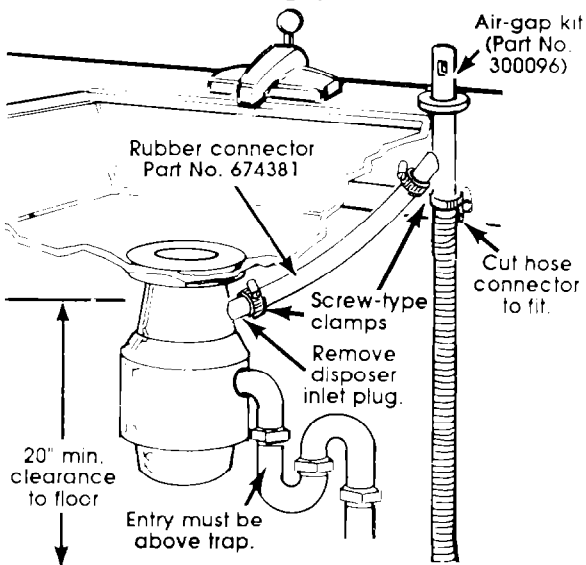
Panel C

Recommended drain hose connection methods:

Drain hose to air gap to waste tee.



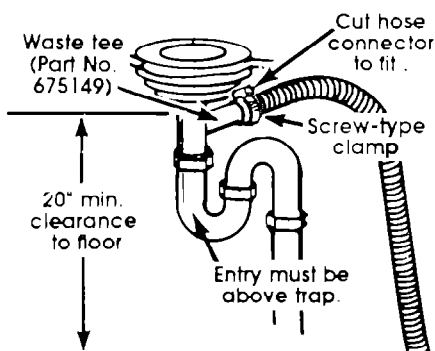
Drain hose to air gap to disposer.



Install air gap (Part No. 300096)* according to kit instructions. If other brands of air gaps are used, they should be checked to make sure they allow for the same water flow. Connect the air gap to a waste tee (Part No. 675149)* or disposer using a rubber connector (Part No. 674381)*. Most disposers have 7/8" connectors or special connectors are available at plumbing supply houses. **Be sure to remove the disposer plug before connecting the drain hose.**

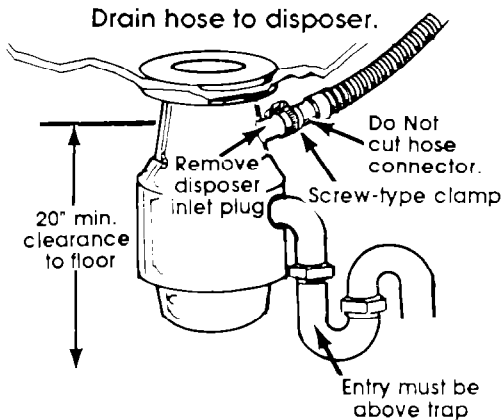
Alternate drain hose connection methods:

Drain hose to waste tee.



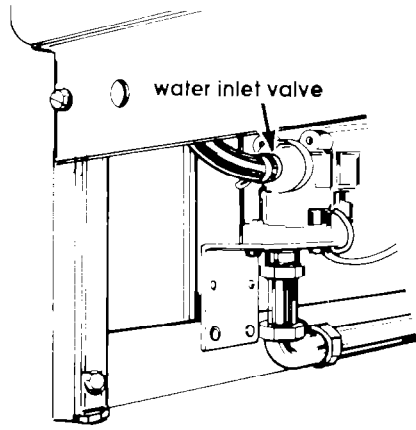
If local plumbing codes permit, dishwasher drain hose may be connected directly to waste tee (Part No. 675149)*. The waste tee connection **MUST** be made ahead of the trap and a minimum of 20 inches above the floor.

Drain hose to disposer.



If local plumbing codes permit, dishwasher drain hose may be connected directly to a disposer. Most disposers have 7/8" connectors or special connectors are available at plumbing supply houses. **Be sure to remove the disposer plug before connecting the drain hose.**

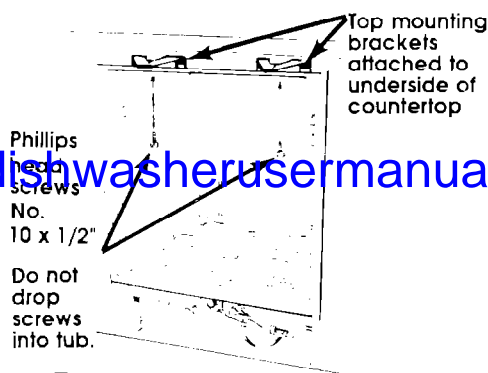
* All parts are available through your dealer.



CAUTION
Product Damage
 Do Not solder within 6" of plastic water inlet valve. Failure to follow this instruction could result in product damage.

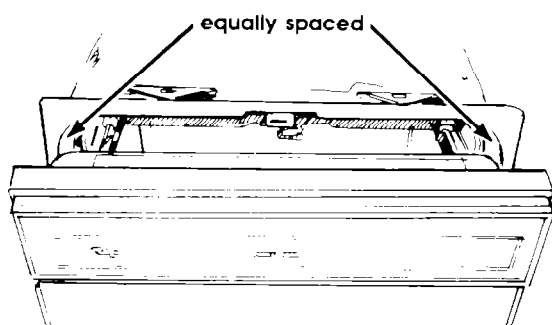
10. Connect water pipe or tubing directly to water inlet valve. Do Not run pipe or tubing across front of motor or dishwasher legs. Turn on water supply and check for leaks.

11. Check electrical requirements. Be sure you have correct electrical supply and recommended grounding method. See Panels A and B for proper connections.

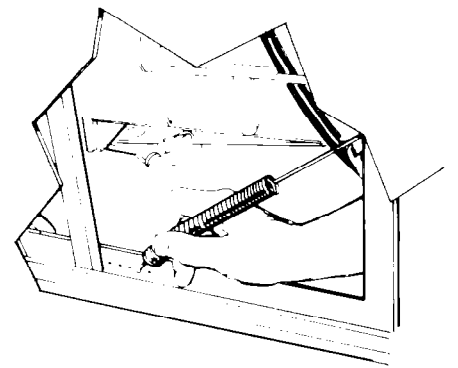


12. Open dishwasher door and remove all shipping materials. Remove bottom rack. Place a newspaper or large sheet of paper over bottom of dishwasher to protect the pump area when securing dishwasher to countertop.

13. Secure dishwasher to countertop with two No. 10 x 1/2" Phillips-head screws from parts bag. You **MUST** secure dishwasher to keep it from tilting when door is opened or closed. **Do Not drop screws in dishwasher tub. If screws should fall into the pump, pump and motor failure may occur.** Remove paper from bottom of dishwasher.



14. Open door approximately 3" and check for equal spacing between inner door and tub sides. If necessary, loosen screws that fasten dishwasher to countertop and shift tub. Tighten screws.

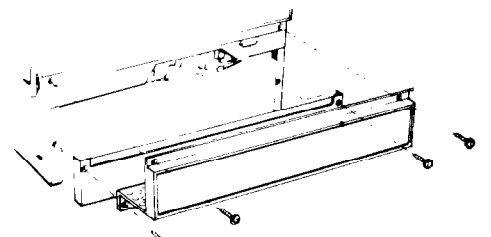


15. Check door for proper operation. Door should close easily without slamming and open with its own weight. If necessary, close door and adjust both door springs by moving spring ends to different holes in base.

16. Take a few minutes to read the Use and Care Guide to fully understand your new dishwasher.

17. Check that all parts have been installed and no steps were skipped. Check that you have all the tools you started with.

18. Turn on electric supply. Start dishwasher and allow it to complete a cycle. Check that dishwasher is working properly and that there are no water leaks.



19. Replace the access panel and toe panel.

20. If changing color of door and access panel or installing custom panels, follow the "To change door and access panel color" instructions, Panel E.

You have just finished installing your new Whirlpool Undercounter Dishwasher.
Congratulations!
 Keep Installation Instructions available for easy reference.

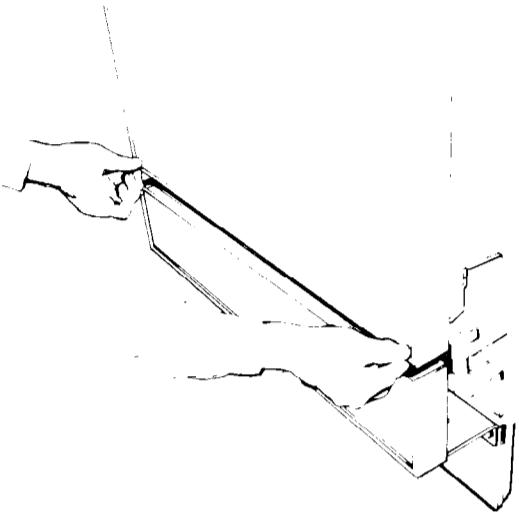
To change door color panel.

(For models so equipped)

⚠ CAUTION

Personal Injury Hazard

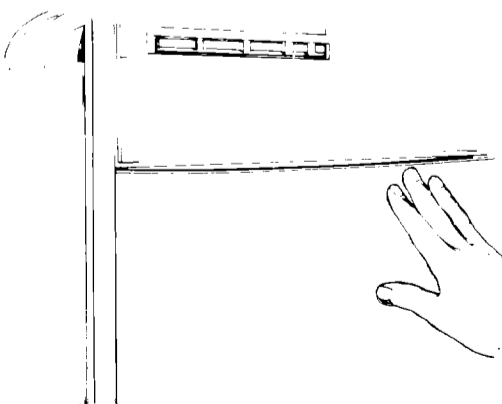
Handle metal edges of panels carefully. Cut metal edges may cause personal injury or damage to other materials.



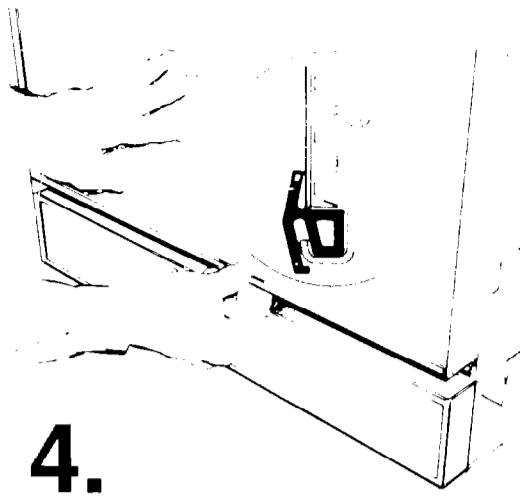
1. Lift up at each end of the trim piece at bottom of door panel and then pull trim piece toward you. Set trim piece aside.



2. Use both hands to bow door panel and remove panel from door.



3. Bow panel with desired color facing out and insert into door trim. Slide top of panel and spacer under top edge of upper door trim.



4.

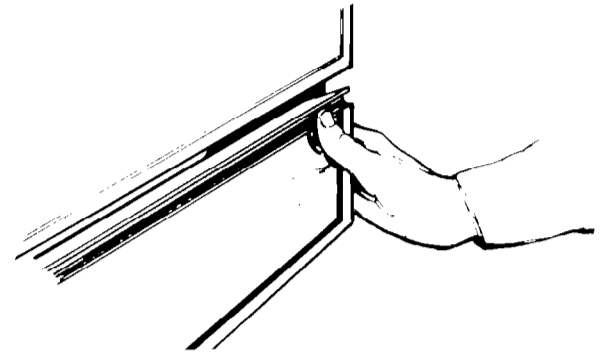
Hold door panel and spacer up. Insert trim piece and push down until it snaps in place. Slide door panel down.

To change access color panel.

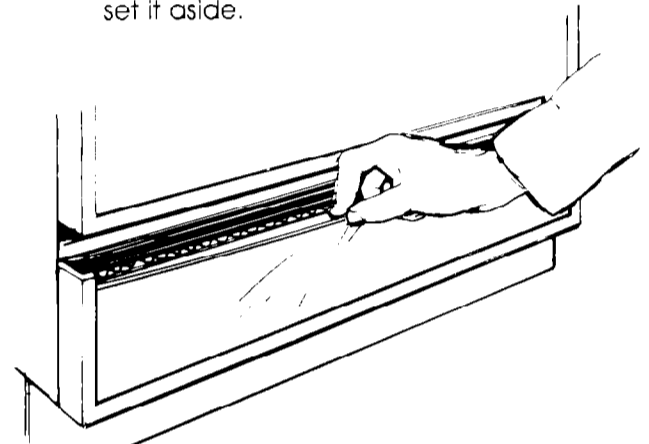
(For models so equipped)

⚠ CAUTION

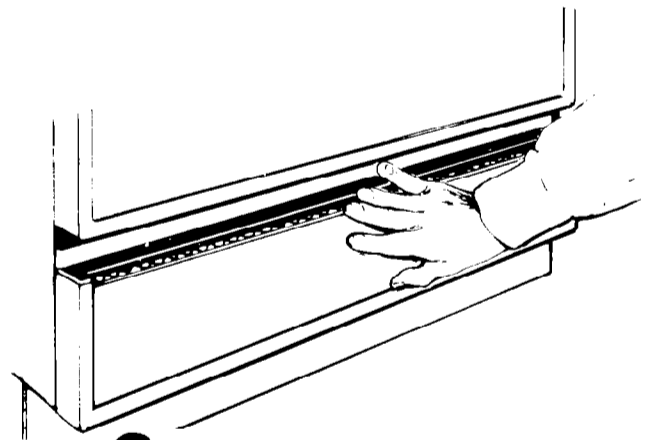
Personal Injury Hazard
Handle panels carefully. Cut metal edges are sharp and may cause personal injury or damage to other materials.



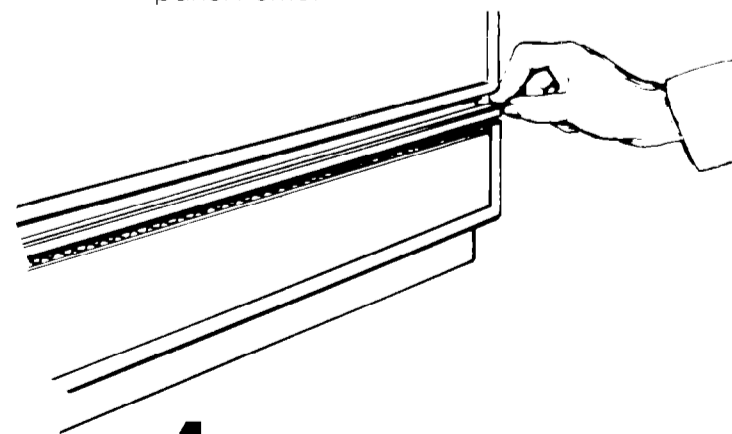
1. Push up with thumbs near each end of the access panel top trim to unsnap the front of trim. Remove the top trim and set it aside.



2. Hold the top of the color panel and bow it slightly. Slide color panel upwards and remove.



3. Bow panel with desired color facing out and insert into grooves on sides of access panel frame. Slide color panel downward into groove along bottom of access panel frame.



4. Insert the tabs of the top trim into the slots in the access panel frame. Snap the front of the top trim down to cover the top edge of the color panel.

If the dishwasher is not operating properly...

Check these points:

- Is the door closed tightly and latched securely?
- Has the cycle been set correctly to start the dishwasher?
- Is the water turned on?
- Has a house fuse blown?
- Has electrical power been interrupted?

Note: If the motor has stopped because of overload, it will automatically reset itself within a few minutes. If after checking these points the dishwasher still does not run or complete a cycle, call for service.

<https://whirlpooldishwasherusermanual.wordpress.com/>

