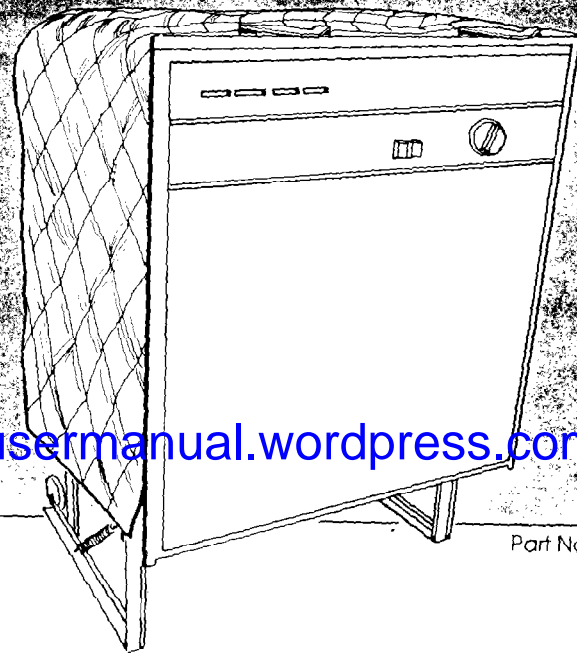


# Installation Instructions



Part No. 3369088

<https://whirlpooldishwasherusermanual.wordpress.com/>

**IMPORTANT**

**Installer:** Leave Installation Instructions with the homeowner.

**Homeowner:** Keep Installation Instructions for future reference.

**Save** Installation Instructions for local electrical inspector's use.

## Undercounter Dishwasher Appliance Installation



Get More Manual <http://www.pdflook.com/>

## Before you start...

Proper installation is your responsibility. Make sure you have everything necessary for correct installation. It is the personal responsibility and obligation of the customer to contact a qualified installer to assure that electrical and plumbing installation meet national and local codes and ordinances.

**IMPORTANT: Observe all governing codes and ordinances.**

DO NOT install dishwasher over carpeted floor.

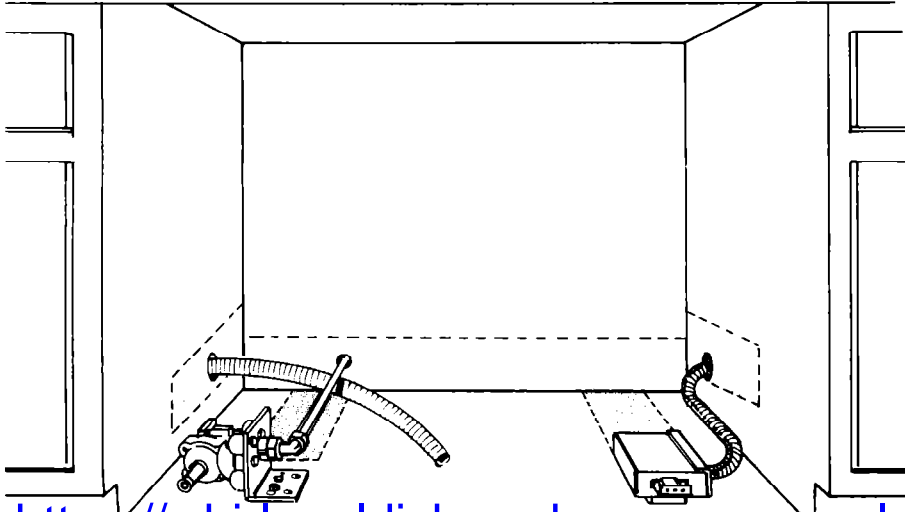
Proper electrical, drain and water supply lines must be available or must be installed as specified within shaded area. See Electrical, Water and Drain requirements. Plumbing and wiring should not cross in front of motor or dishwasher legs.

If plumbing and electrical connections are not installed, complete the Electrical, Water and Drain Connections Installation Instructions first.

Check location where dishwasher will be installed. The location should provide:

- Easy access to water, electricity and drainage lines
- Convenient loading — the best position is left or right of kitchen sink.
- Opening that is square for proper dishwasher operation and appearance.
- Cabinet front that is perpendicular to floor.
- Protection so that water inlet valve and drain cannot freeze.
- 1/4" minimum clearance between motor and flooring to prevent motor overheating.

Electrical ground is required. See Electrical requirements.



### ⚠ WARNING

#### Electrical Shock Hazard

- Electrical wiring and components must not contact any plumbing material or drain hose.
- Cabinet opening must completely enclose sides, top and back of dishwasher.

Failure to do so may result in personal injury from exposed wiring.

### ⚠ CAUTION

#### Personal Injury

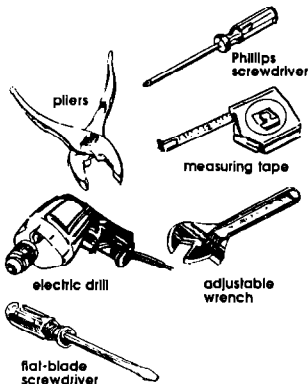
Avoid opening dishwasher door before dishwasher is installed. Dishwasher, before it is installed, may tip over when door is opened resulting in personal injury or product damage.

## Parts supplied for installation:



Remove parts from bag. Check that all parts were supplied.

## Tools needed for installation:



## Electrical requirements

### ⚠ WARNING

#### Electrical Shock Hazard

• Electrical ground is required on this appliance. Check with a qualified electrician if you are in doubt as to whether the appliance is properly grounded. Improper connection of the equipment-grounding conductor can result in electrical shock.

• Disconnect power to the junction box. Failure to do so could result in serious injury or death.

• This appliance must be connected to a grounded, metallic permanent wiring system, or a grounding connector should be connected to the grounding terminal or wire lead on the appliance. Failure to do so could result in serious injury or death.

• Do Not have a fuse in the neutral or grounding circuit. This could result in electrical shock.

• Do Not use an extension cord with this appliance. Such use may result in a fire, electrical shock or other personal injury.

A 120-volt, 60 Hz. AC only, 15 or 20 ampere, fused electrical supply is required. Time-delay fuse or circuit breaker is recommended. It is recommended that a separate circuit serving only this appliance be provided.

It is the personal responsibility and obligation of the customer to contact a qualified electrician to assure that the electrical installation is adequate and is in conformance with the National Electrical Code, ANSI/NFPA 70-latest edition, and local codes and ordinances.

The dishwasher can be connected with flexible armored or non-metallic sheathed copper cable (with grounding wire).

A U.L.-listed strain relief or conduit connector must be installed at each end of the power supply cable (at the dishwasher and at the junction box). Wire sizes (COPPER WIRE ONLY) must conform with the rating of the dishwasher.

Local codes may permit the use of a U.L.-listed, flexible three-conductor 16-gauge cord terminated with a three prong, grounding type plug. The cord must meet the National Electrical Code, ANSI/NFPA 70-latest edition and local codes and ordinances. The length of the cord must not exceed six feet. It must be routed so it does not touch the dishwasher motor or the lower portion of the dishwasher tub. A grommet (Part No. 302797) must cover the hole cut in a metal cabinet for the flexible cord. The flexible cord must be plugged into a mating three-prong grounding type wall receptacle. Follow instructions packaged with the flexible cord.

## Water requirements

The hot water line to the dishwasher must provide between 15 - 120 PSI water pressure. **The hot water heater should be set to deliver 140°F water temperature to the dishwasher for best results.**

Use 3/8" O.D. copper tubing or 1/2" plastic tubing minimum inlet line. Dishwasher inlet valve has 3/8" internal pipe thread.

## Drain requirements

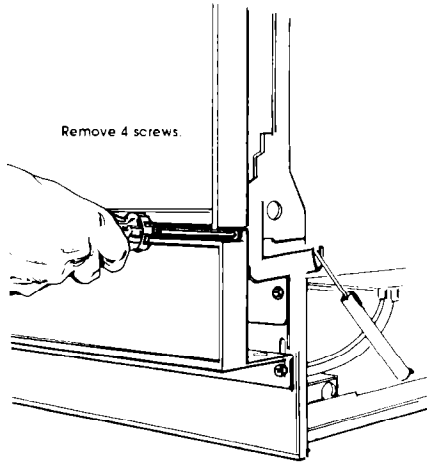
Drain line connection to house plumbing must be minimum 20" above floor to prevent siphoning.

Drain hose, supplied, meets AHAM DW-1 test standards. Cut 1-1/2" hole in cabinet wall for drain hose. Additional drain line, a minimum of 1/2" I.D. and no longer than 20 feet can be used if needed.

## Now start...

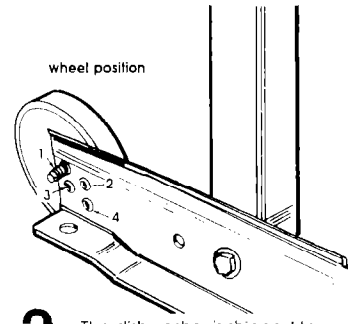
with dishwasher in kitchen.

Disconnect electric supply before installing dishwasher.



Remove 4 screws.

1. Remove the 4 screws attaching access panel and toe panel to dishwasher using a 1/4" socket wrench or Phillips screwdriver. Remove access panel and toe panel.



wheel position

2. The dishwasher is shipped to be installed in a 34" cabinet opening. Measure height of cabinet opening from underside of countertop to floor. Check chart for that height opening. Put the wheels in the required position.

Min. Cutout Height	Wheel Position (See Illustration)	Number Of Turns To Pre-adjust Levelers
33-7/8"	1	0
34-1/16"	2	3
34-1/4"	3	6
34-7/16"	4	9

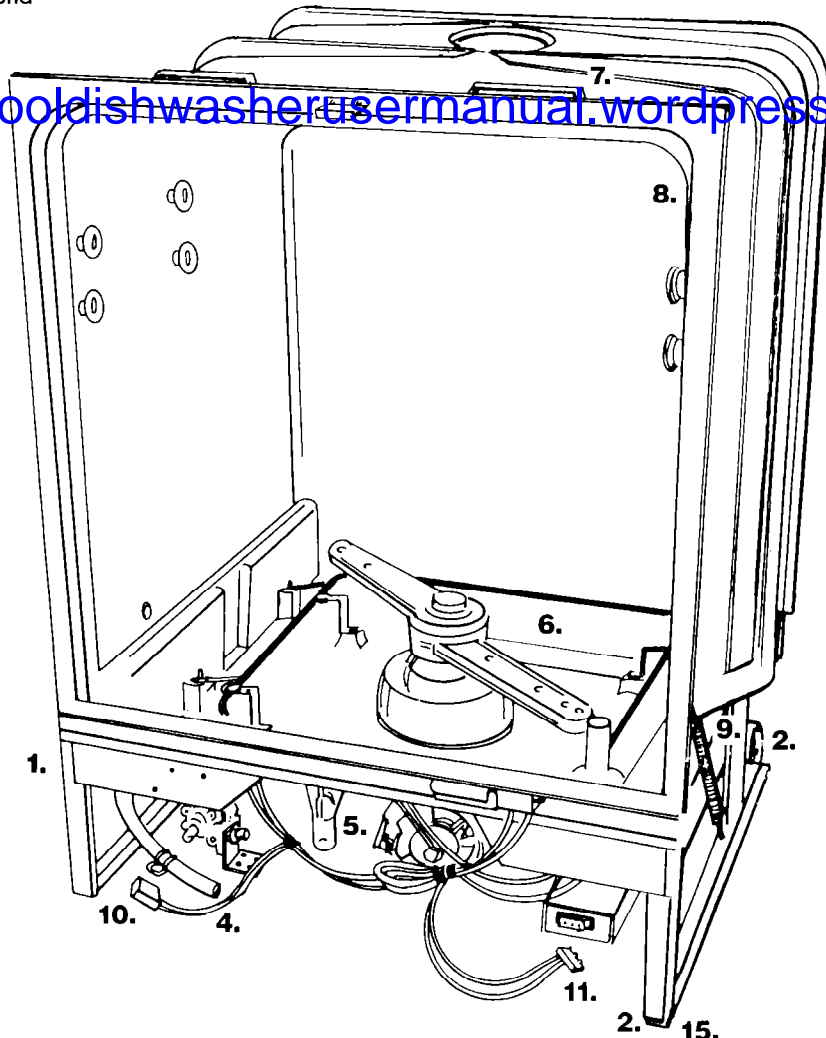
For additional height:

1. Add shims under the wheels.
2. Turn front levelers (each turn adds 1/16" in height).

Loosen and then turn front levelers the number of times indicated in the chart.

Numbers correspond to steps.

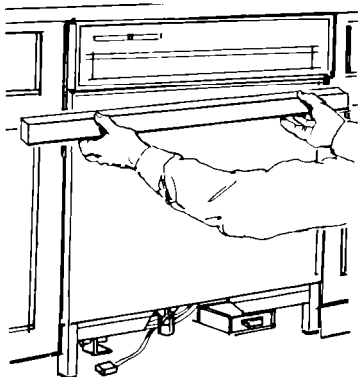
<https://whirlpooldishwasherusermanual.wordpress.com/>



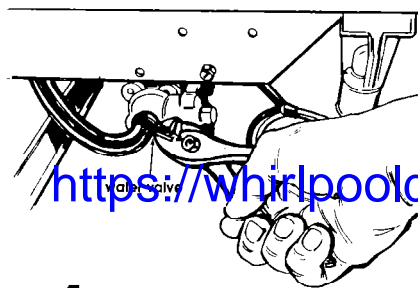
## CAUTION

### Floor Damage

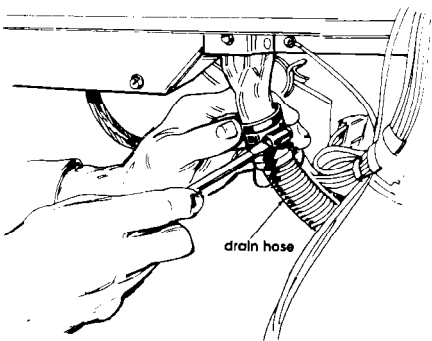
Tilt dishwasher backwards on wheels when moving across floor. Failure to do so may cause damage to floor cover.



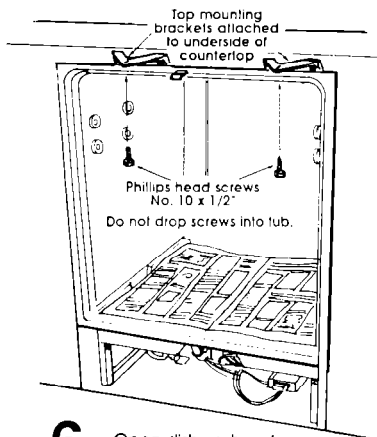
- 3.** Place drain hose in the center of the cabinet opening. Latch dishwasher door. Push dishwasher into place. Center dishwasher in cabinet opening. Check that front leveling legs are firmly against the floor. Align dishwasher door with cabinet doors so that spacing is the same on both sides.



- 4.** Use pliers to open clamp and place over water inlet hose. Connect water inlet hose to water valve. Slide clamp over inlet hose and water valve. Check for good fit. Turn on water supply and check for leaks.

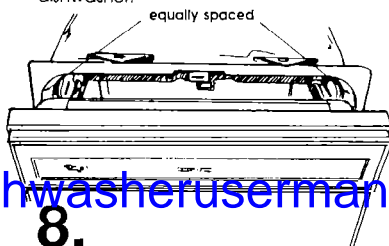


- 5.** Loosen drain hose clamp screw. Place clamp over drain hose. Connect drain hose to check valve. Tighten drain hose clamp screw. Check for good fit. Coil and tape extra drain hose under kitchen sink.

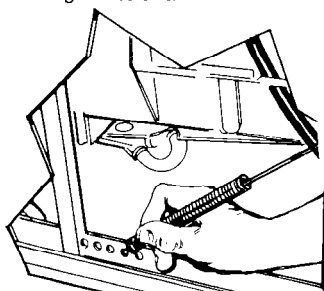


- 6.** Open dishwasher door and remove all shipping materials. Remove bottom rack. Place a newspaper or large sheet of paper over bottom of dishwasher to protect the pump area when securing dishwasher to countertop.

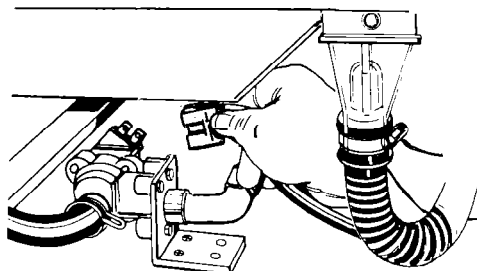
- 7.** Secure dishwasher to countertop with two No. 10 x 1/2" Phillips head screws from parts bag. You **MUST** secure dishwasher to keep it from tilting when door is opened or closed. **Do not drop screws in dishwasher tub. If screws should fall into the pump, pump and motor failure may occur.** Remove paper from bottom of dishwasher.



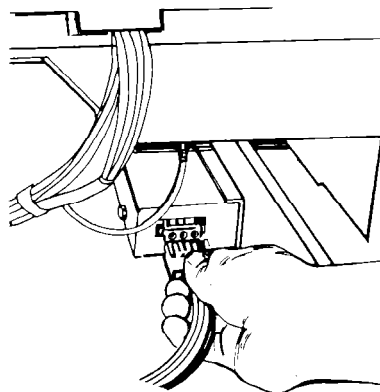
- 8.** Open door approximately 3" and check for equal spacing between inner door and tub sides. If necessary, loosen screws that fasten dishwasher to countertop and shift tub. Tighten screws.



- 9.** Check door for proper operation. Door should close easily without slamming and open with its own weight. If necessary, close door and adjust door spring by moving end of spring to a different hole in base.



- 10.** Plug wiring harness to water valve.

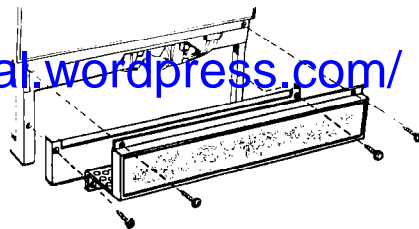


- 11.** Plug wiring harness to terminal box. **CHECK ELECTRICAL REQUIREMENTS. BE SURE YOU HAVE CORRECT ELECTRICAL SUPPLY AND RECOMMENDED GROUNDING METHOD.**

- 12.** Take a few minutes to read the Use and Care Guide to fully understand your new dishwasher.

- 13.** Check that all parts have been installed and no steps were skipped. Check that you have all the tools you started with.

- 14.** Turn on electric supply. Start dishwasher and allow it to complete a cycle. Check that dishwasher is working properly and that there are no water leaks.



- 15.** Replace the access panel and toe panel.

- 16.** If color of door is to be changed or custom panel installed, change the panel now. See back cover for detailed instructions.

You have just finished installing your new Whirlpool Undercounter Dishwasher.

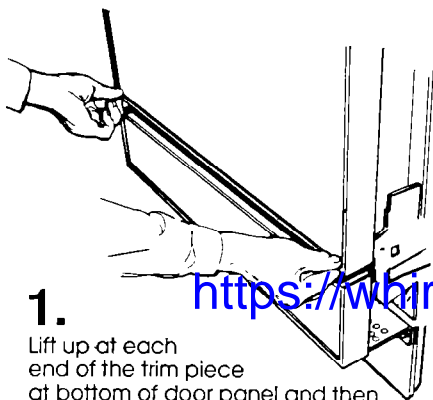
**Congratulations!**

Keep installation instructions available for easy reference.

# To change door panel color

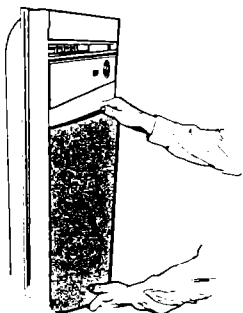
## ⚠ CAUTION

Potential Personal Injury  
Handle metal edges of panels carefully. Cut metal edges may cause personal injury or damage to other materials.



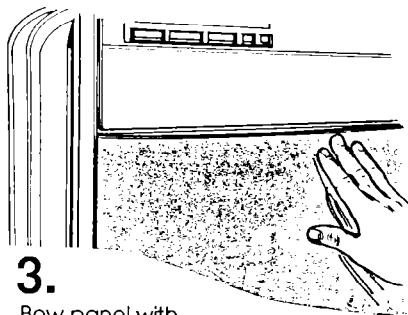
1.

Lift up at each end of the trim piece at bottom of door panel and then pull trim piece toward you. Set trim piece aside.



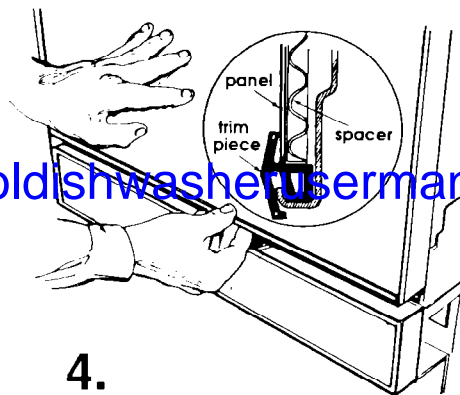
2.

Use both hands to bow door panel and remove panel from door.



3.

Bow panel with desired color facing out and insert into door trim. Slide top of panel and spacer under top edge of upper door trim.



4.

Hold door panel and spacer up. Insert trim piece and push down until it snaps in place. Slide door panel down.

# If the dishwasher is not operating properly...

Check these points:

- Is the door closed tightly and latched securely?
- Has the cycle been set correctly to start the dishwasher?
- Is the water turned on?
- Has a house fuse blown?
- Has electrical power been interrupted?

Note: If the motor has stopped because of overload, it will automatically reset itself within a few minutes. If after checking these points the dishwasher still does not run or complete a cycle, call for service.

<https://whirlpooldishwasherusermanual.wordpress.com/>

